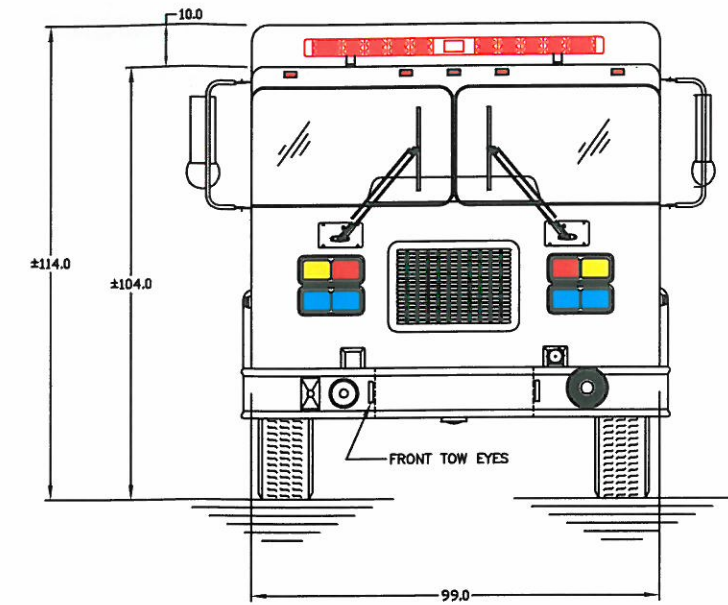
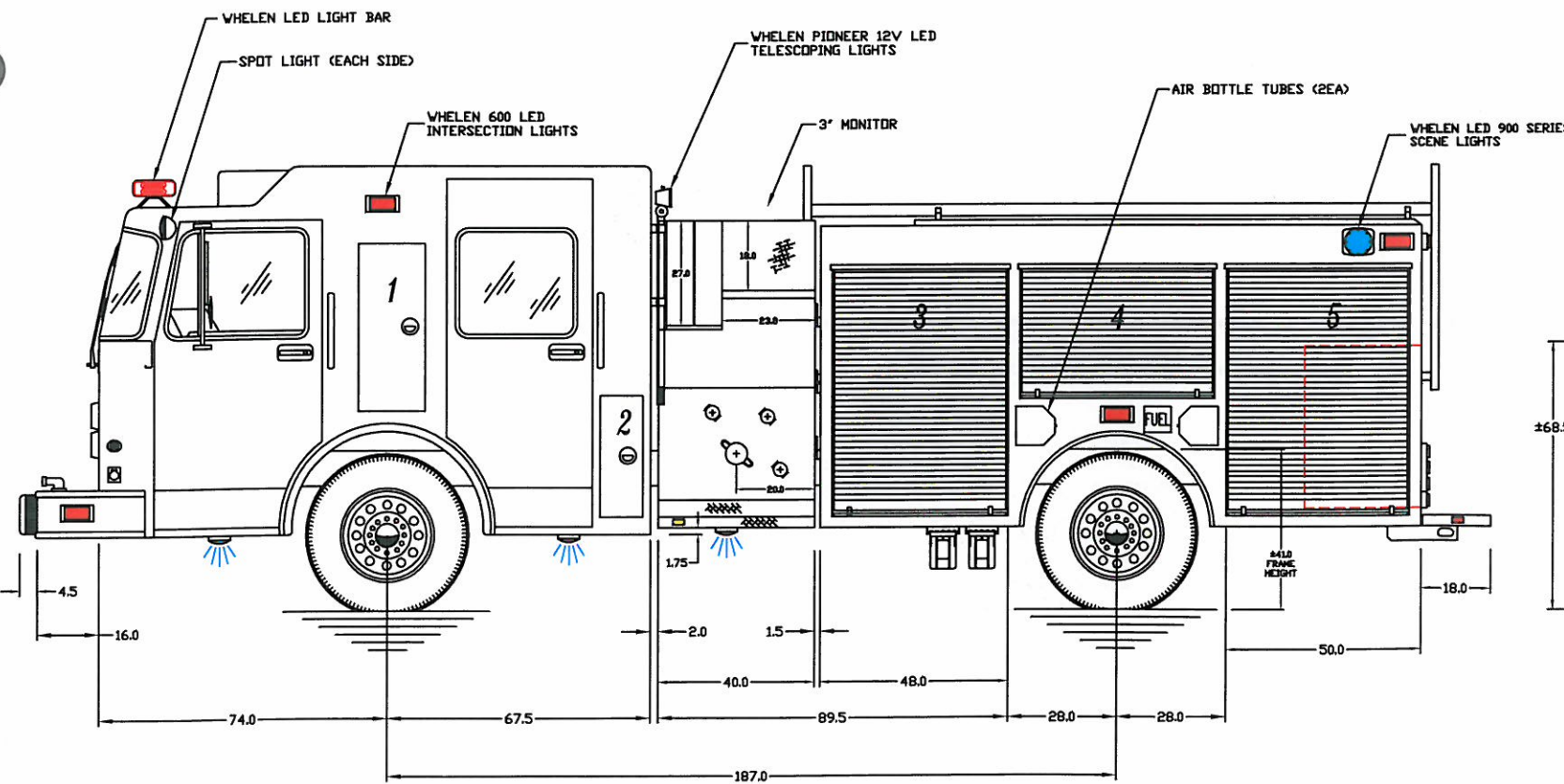


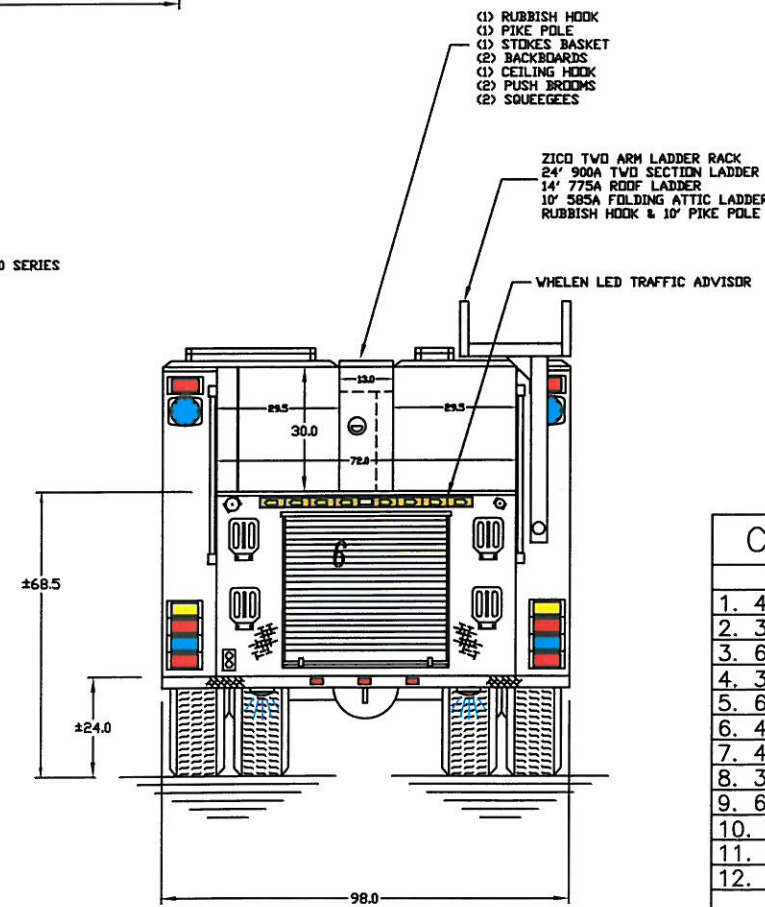
RIGHT SIDE VIEW



FRONT VIEW



LEFT SIDE VIEW



REAR VIEW

COMPARTMENT DIMENSIONS		
INSIDE DIMENSIONS	UPPER HALF DIMENSIONS	APPROXIMATE DOOR OPENING
1. 43"Hx17"Wx23"D		1. 41"Hx15"W
2. 31"Hx11"Wx21"D		2. 31"Hx11"W
3. 64"Hx48"Wx13/25"D	3. 32"Hx48"Wx13"D	3. 60"Hx42.5"W
4. 32"Hx56"Wx13"D		4. 28"Hx47.5"W
5. 64"Hx50"Wx13/25"D	5. 32"Hx50"Wx13"D	5. 60"Hx44.5"W
6. 41.5"Hx48"Wx30"D		6. 41"Hx45.5"W
7. 43"Hx17"Wx23"D		7. 41"Hx15"W
8. 31"Hx11"Wx21"D		8. 31"Hx11"W
9. 64"Hx48"Wx13/25"D	9. 32"Hx48"Wx13"D	9. 60"Hx42.5"W
10. 32"Hx56"Wx13"D		10. 28"Hx47.5"W
11. 64"Hx50"Wx13/25"D	11. 32"Hx50"Wx13"D	11. 60"Hx44.5"W
12. 154"Lx13"Wx10.5"D		12. 124"Lx8"W

HOSE BED DIMENSIONS 72"Wx30"Hx154"L

HI-TECH EMERGENCY VEHICLE SERVICE
444 W. GREGER ST. OAKDALE, CA. 95361 (209)847-3042

AMERICAN CANYON F.D.

SCALE: DATE: 4-2-12 APPROVED BY: DRAWN BY: B RUTHMAN REVISED: 6-28-12

500 GAL. POLY WATER TANK / 25 GAL. FOAM TANK

CAD PRODUCED DRAWING

DRAWING NUMBER
1-B