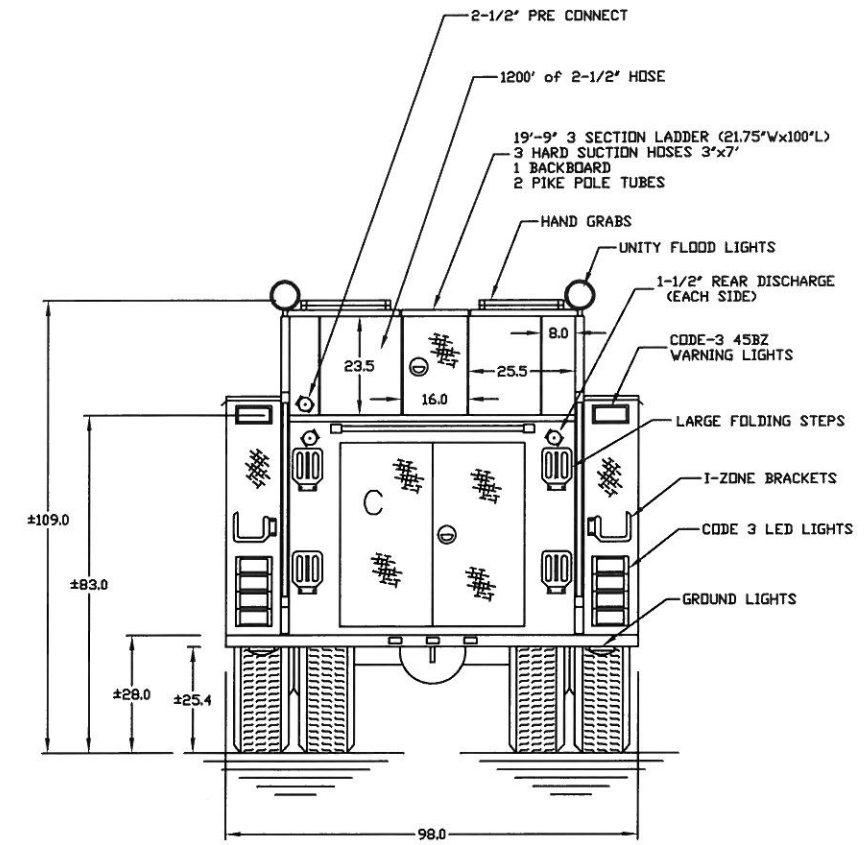
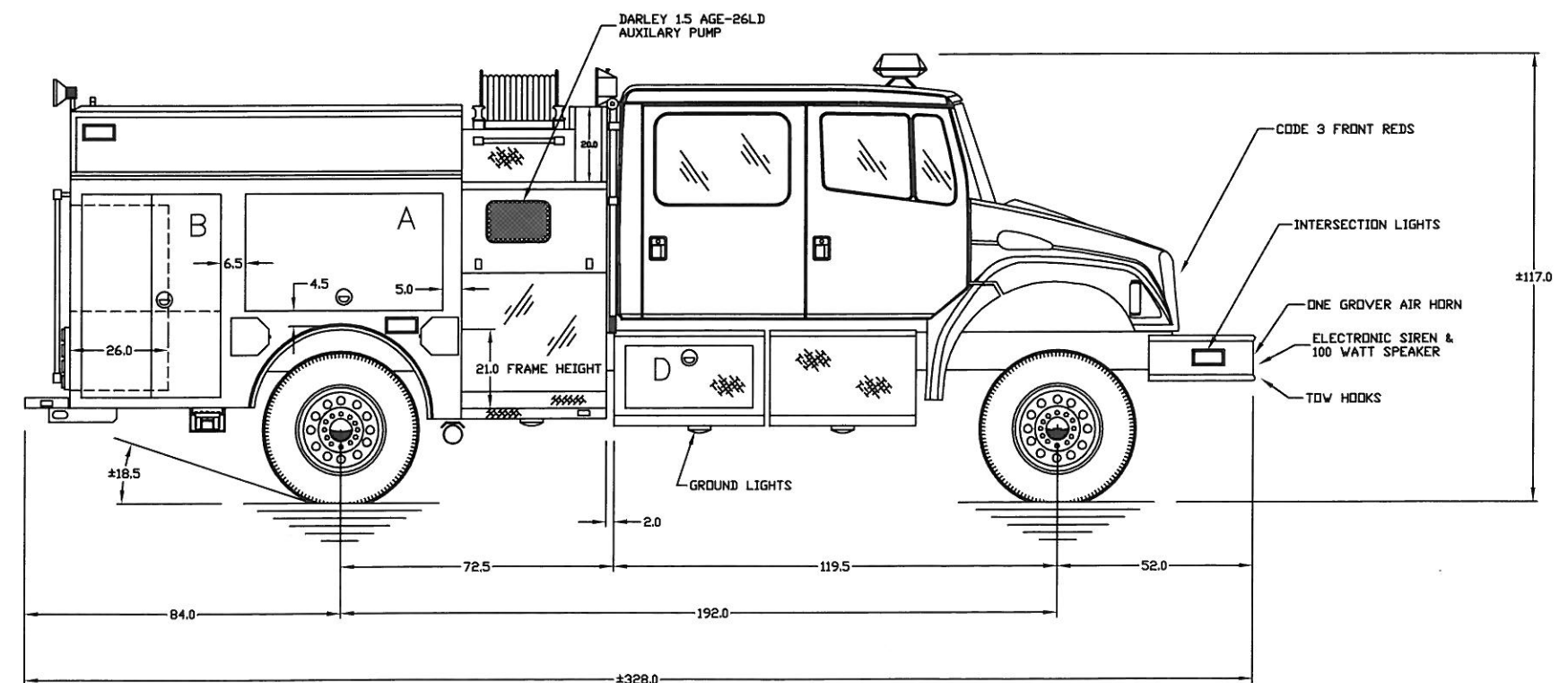


LEFT SIDE VIEW



REAR VIEW



RIGHT SIDE VIEW

COMPARTMENT DIMENSIONS	
INSIDE	OPENING
A. 64"Wx37"Hx14"D	A. 53"Wx32"H
B. 40"Wx60"Hx14/24"D	B. 37"Wx54"H
C. 50/72"Wx49"Hx26"D	C. 44"Wx44"H
D. 40"Wx19"Hx22"D	D. 34"Wx14.5"H

HI-TECH EMERGENCY VEHICLE SERVICE
 444 W. GREGER ST. OAKDALE, CA. 95361 (209)847-3042

DENAIR F.D.

SCALE:	APPROVED BY:	DRAWN BY: B RUTHMAN
DATE: 11-2-05		REVISED: 1-16-07

500 GAL. WATER/ 20 GAL. FOAM (POLY WATER TANK)

CAD PRODUCED DRAWING DRAWING NUMBER 1-B