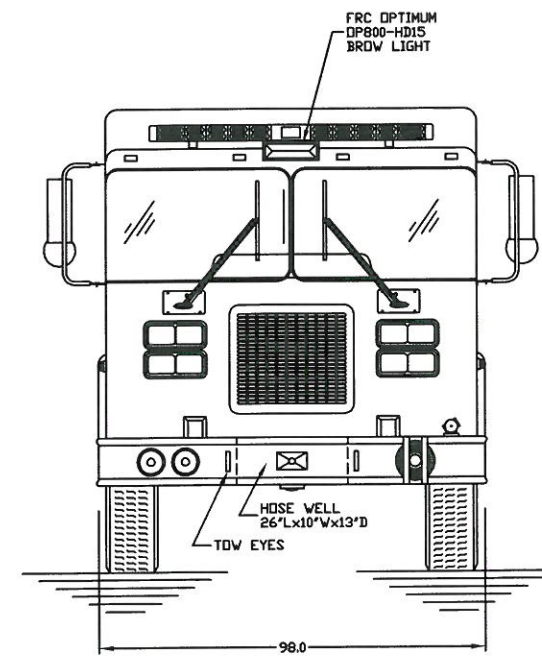
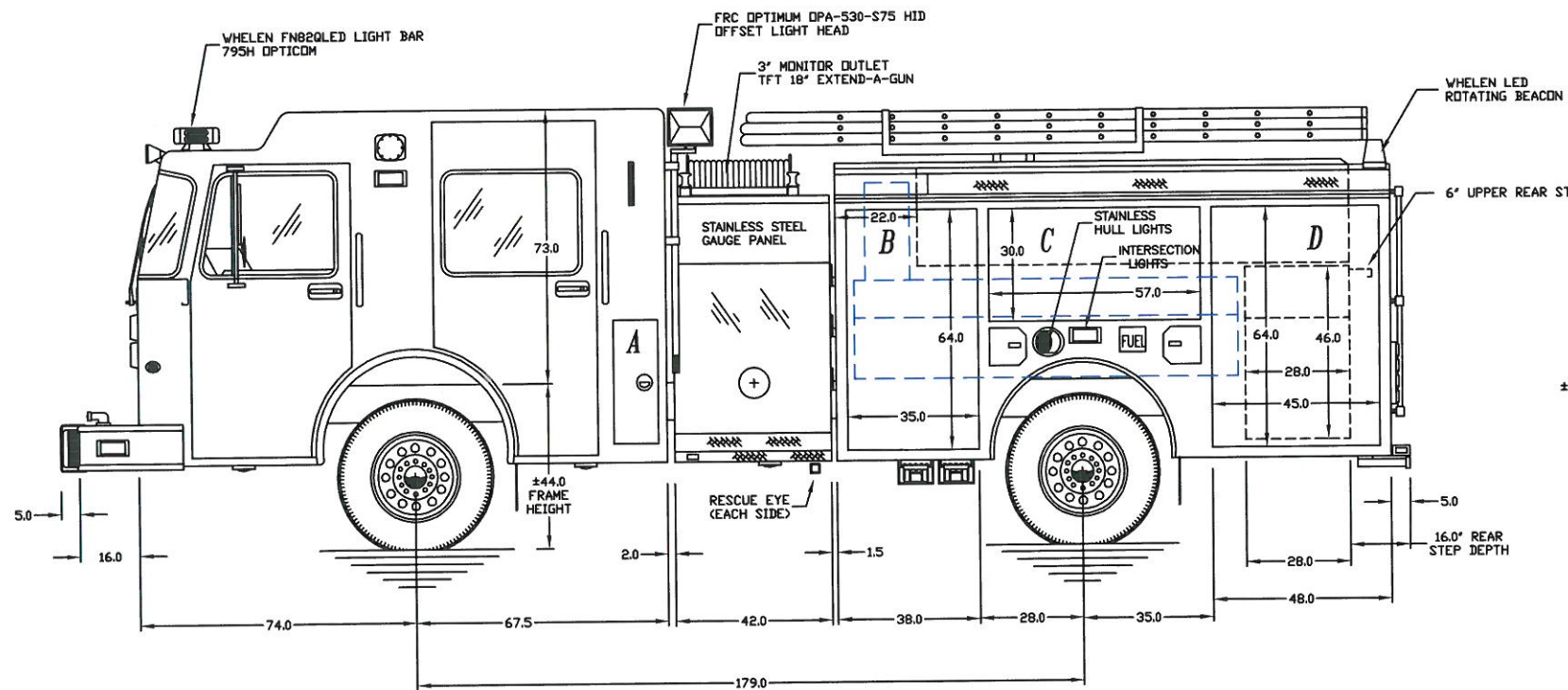


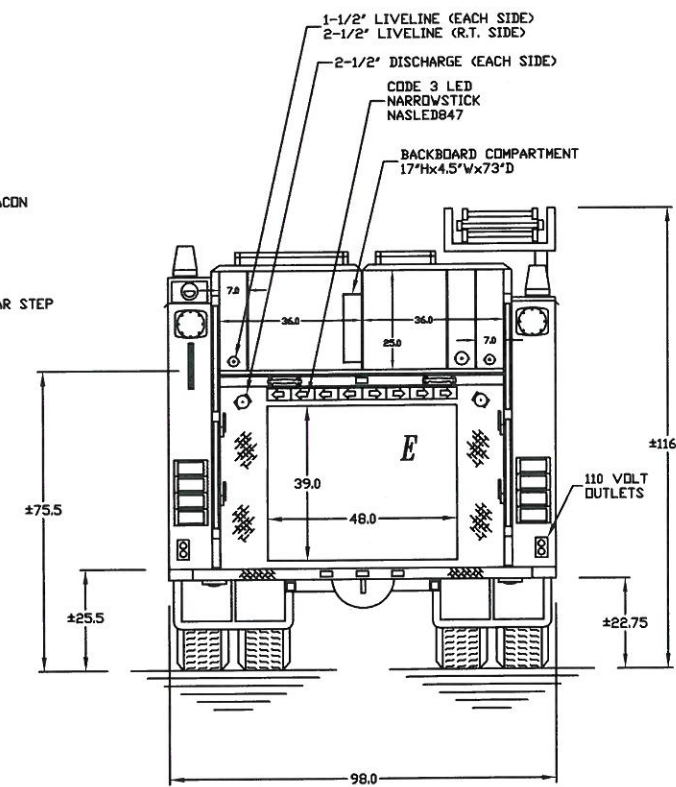
RIGHT SIDE VIEW



FRONT VIEW



LEFT SIDE VIEW



REAR VIEW

COMPARTMENT DIMENSIONS	
INSIDE	OPENING
A. 11"Wx34"Hx24/96"D	A. 30"Hx11"W
B. 68"Hx38"Wx13/25"D	B. 64"Hx35"W
C. 34"Hx63"Wx13"D	C. 30"Hx57"W
D. 68"Hx48"Wx13/25"D	D. 64"Hx45"W
E. 46"Hx48"Wx28"D	E. 39"Hx48"W
F. 68"Hx38"Wx13/25"D	F. 64"Hx35"W
G. 34"Hx46"Wx13"D	G. 30"Hx40"W
H. 68"Hx48"Wx13/25"D	H. 64"Hx35"W

NOTE: COMPARTMENT OPENING WIDTH DIMENSIONS ARE 3" LESS THAN LISTED MEASUREMENTS AND HEIGHT IS 5" LESS, DUE TO ROLL-UP DOOR TRACKING AND SEAL.

HOSE BED DIMENSIONS
72"W x 25"H x 116"D

HI-TECH EMERGENCY VEHICLE SERVICE
444 W. GREGER ST. OAKDALE, CA. 95361 (209)847-3042

FAIRFIELD F.D.

SCALE:	APPROVED BY:	DRAWN BY: B RUTHMAN
DATE: 7-26-10		REVISED:

500 GAL. POLY WATER TANK / 20 GAL. FOAM TANK

CAD PRODUCED DRAWING	DRAWING NUMBER 1-A
----------------------	-----------------------