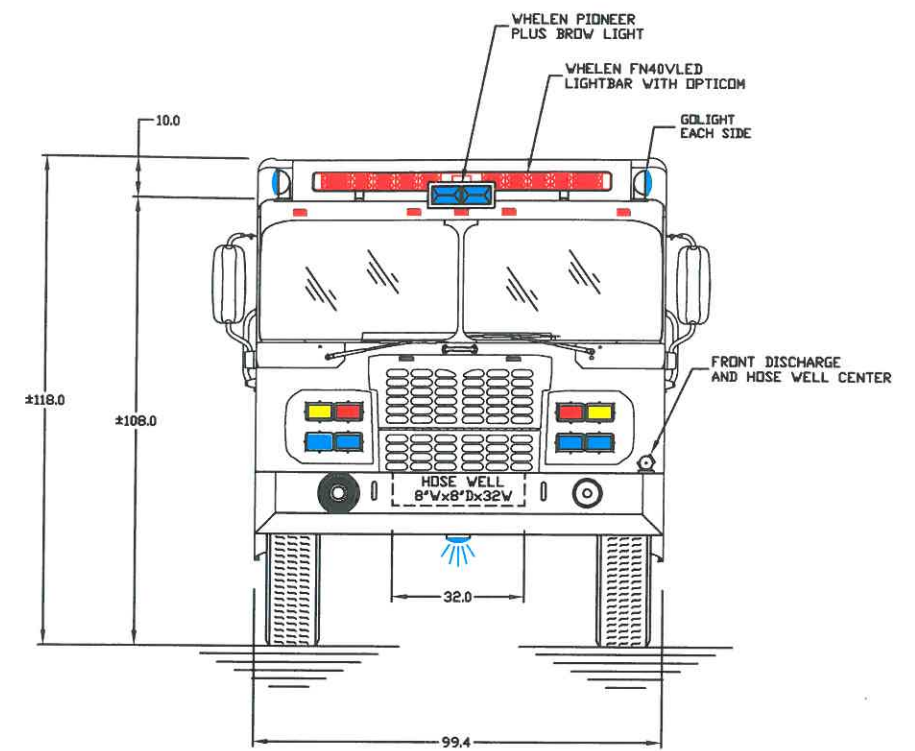
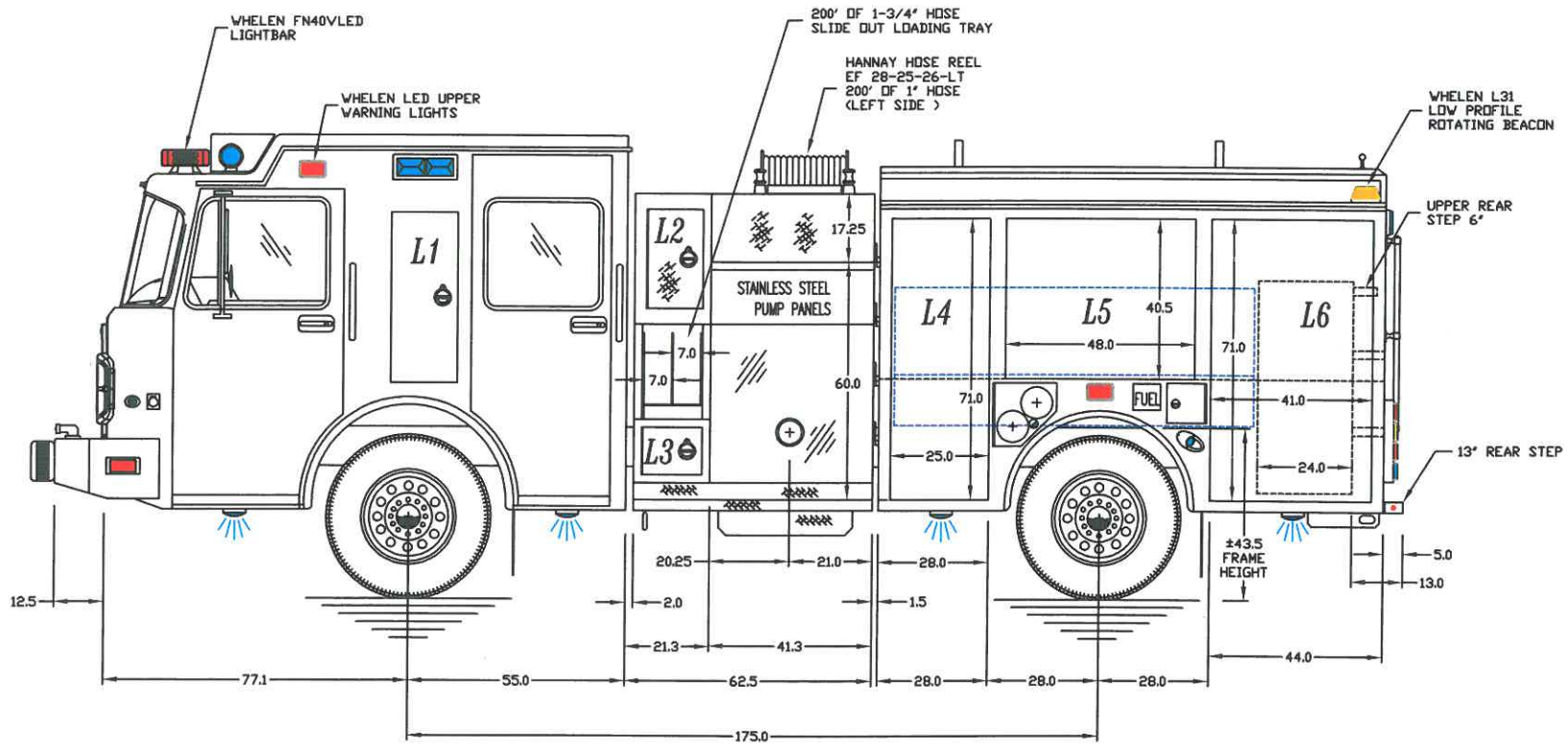


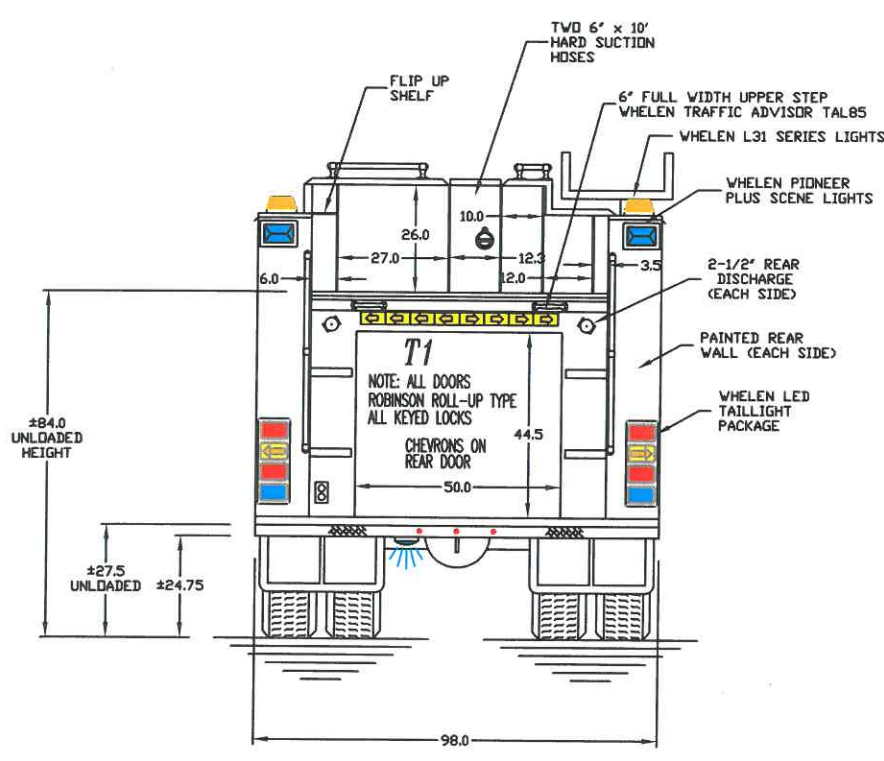
RIGHT SIDE VIEW



FRONT VIEW



LEFT SIDE VIEW



REAR VIEW

COMPARTMENT DIMENSIONS

INSIDE		OPENING	
L1. 43.5"Hx16.5"Wx23"D	L1. 41"Hx15"W	R1. 43.5"Hx16.5"Wx23"D	R1. 41"Hx15"W
L2. 29"Hx19.25"Wx72"D	L2. 25"Hx14"W	R2. 29"Hx19.25"Wx72"D	R2. 25"Hx14"W
L3. 14"Hx19.25"Wx13"D	L3. 12"Hx14"W	R3. 14"Hx19.25"Wx10"D	R3. 12"Hx14"W
L4. 75.5"Hx28"Wx13/24"D	L4. 71"Hx25"W	R4. 75.5"Hx28"Wx13/24"D	R4. 71"Hx25"W
L5. 45"Hx56"Wx13"D	L5. 40.5"Hx48"W	R5. 45"Hx37"Wx13"D	R5. 40.5"Hx31"W
L6. 75.5"Hx44"Wx13/24"D	L6. 71"Hx41"W	R6. 75.5"Hx44"Wx13/24"D	R6. 71"Hx41"W
T1. 53.5"Hx50"Wx24"D	T1. 44.5"Hx50"W		

NOTE: DIMENSIONS LISTED ARE NOT CLEAR OPENING. 2.5" MUST BE TAKEN OFF OF WIDTH & 4.5" MUST BE TAKEN OFF HEIGHT FOR CLEAR DOOR OPENING DIMENSIONS.

HOSE BED DIMENSIONS
72"W x 26"H x 128"D

HI-TECH EMERGENCY VEHICLE SERVICE
444 W. GREGER ST. OAKDALE, CA. 95361 (209)847-3042

MADERA CITY F.D.

SCALE: DATE: 3-10-16 APPROVED BY: DRAWN BY: B RUTHMAN REVISED: 4-13-16

700 GAL. POLY TANK / 30 GAL. FOAM CELL

CAD PRODUCED DRAWING DRAWING NUMBER 1-D