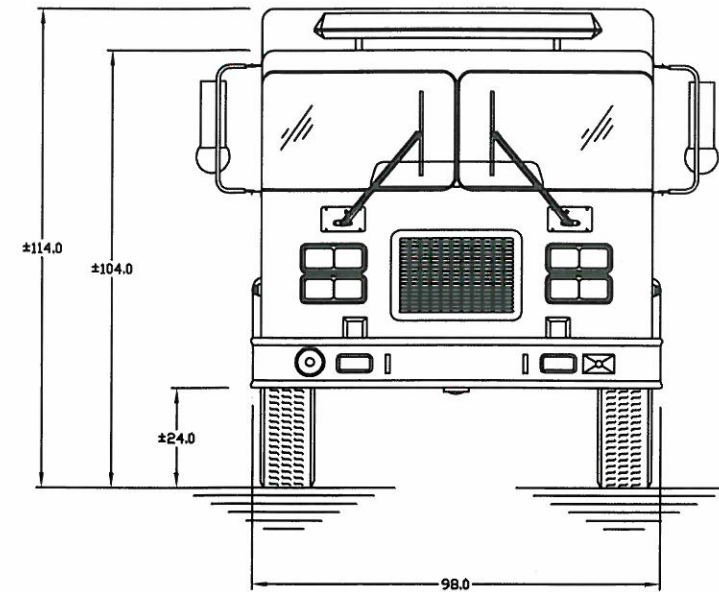
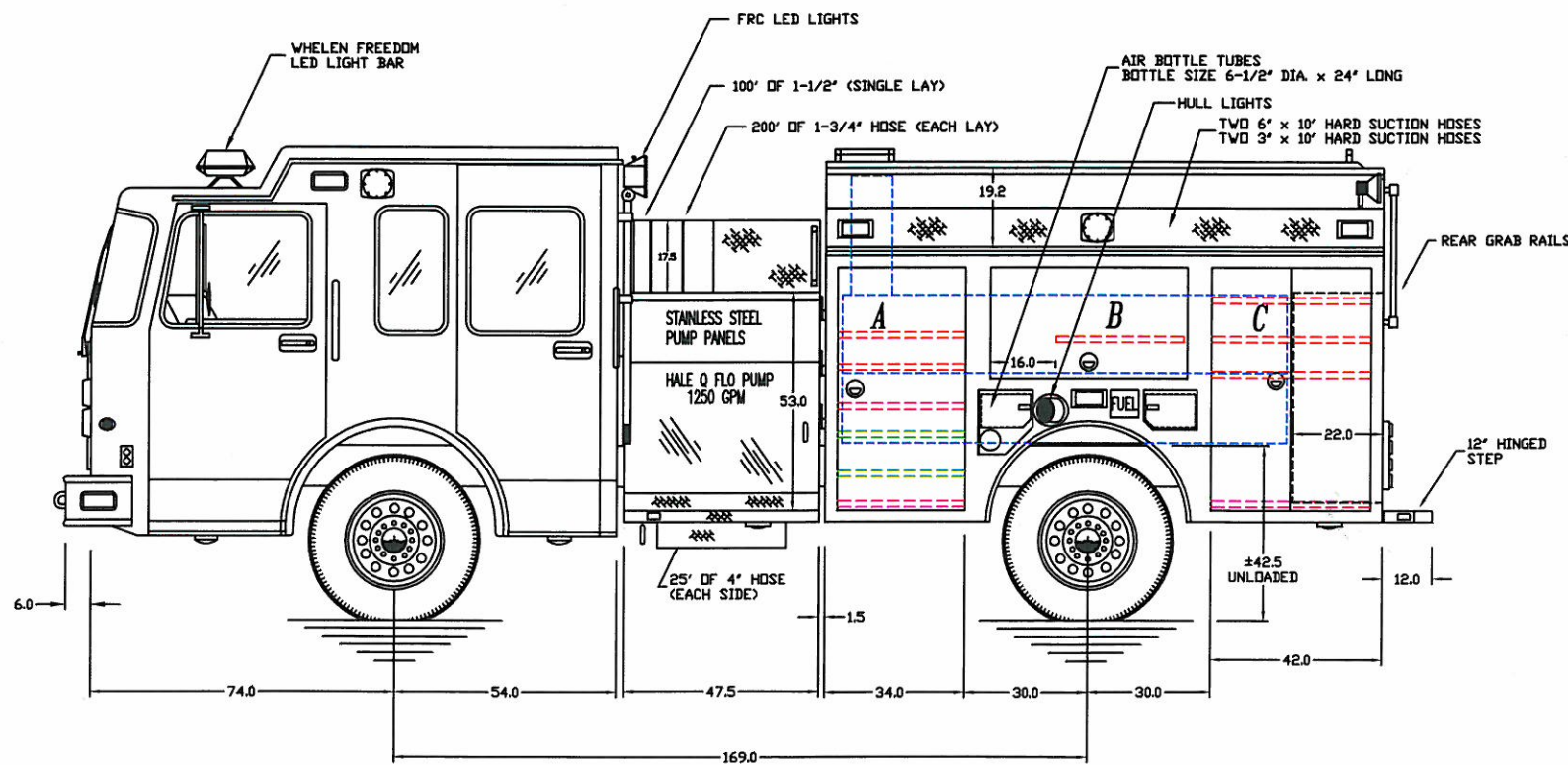


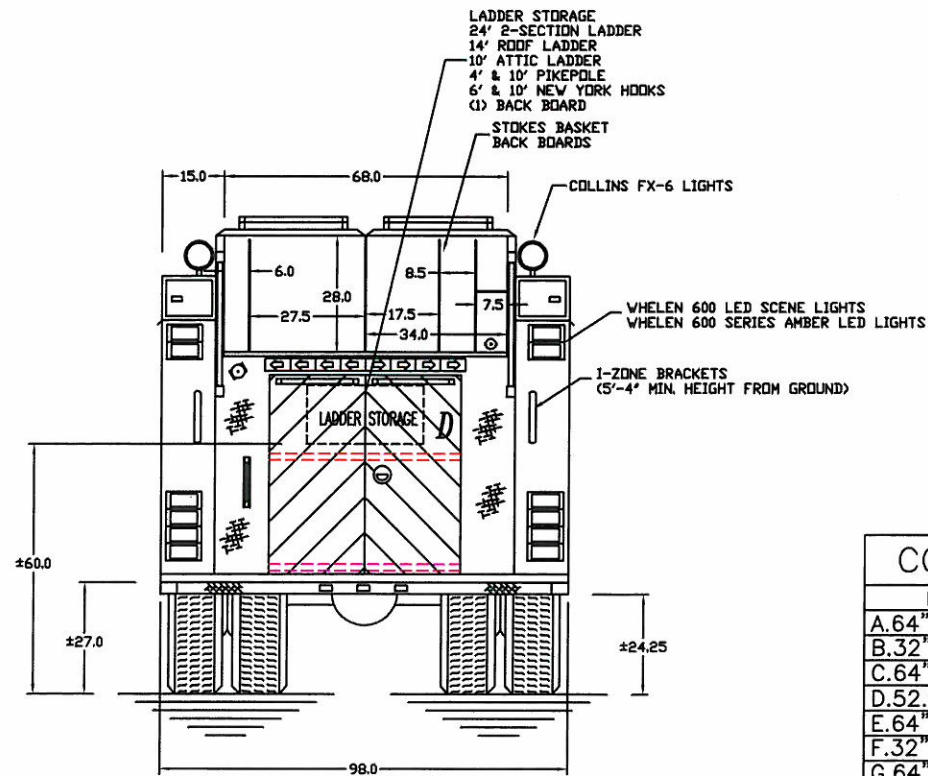
RIGHT SIDE VIEW



FRONT VIEW



LEFT SIDE VIEW



REAR VIEW

ADJUSTABLE SHELF
 =====
 SLIDE OUT TRAY
 =====
 ADJUSTABLE
 SLIDE OUT TRAY
 =====

COMPARTMENT DIMENSIONS	
INSIDE DIMENSIONS	APPROXIMATE DOOR OPENING
A. 64" Hx 34" W x 15/24" D	A. 59" H x 31" W
B. 32" H x 60" W x 15" D	B. 27" H x 45" W
C. 64" H x 42" W x 15/26" D	C. 59" H x 39" W
D. 52.5" H x 46" W x 22" D	D. 46" H x 46" W
E. 64" H x 34" W x 15/24" D	E. 59" H x 31" W
F. 32" H x 60" W x 15" D	F. 27" H x 45" W
G. 64" H x 42" W x 15/26" D	G. 59" H x 39" W

HOSE BED DIMENSIONS 68" W x 28" H x 136" L

HI-TECH EMERGENCY VEHICLE SERVICE
 444 W. GREGER ST. OAKDALE, CA. 95361 (209)847-3042

MARIN COUNTY F.D.

SCALE: 11-3-11	APPROVED BY:	DRAWN BY: B RUTHMAN REVISED: 4-7-12
-------------------	--------------	--

500 GAL. POLY WATER TANK 20 GAL. FOAM TANK
 LOCATED WITHIN HOSE BED

CAD PRODUCED DRAWING

DRAWING NUMBER
1-B