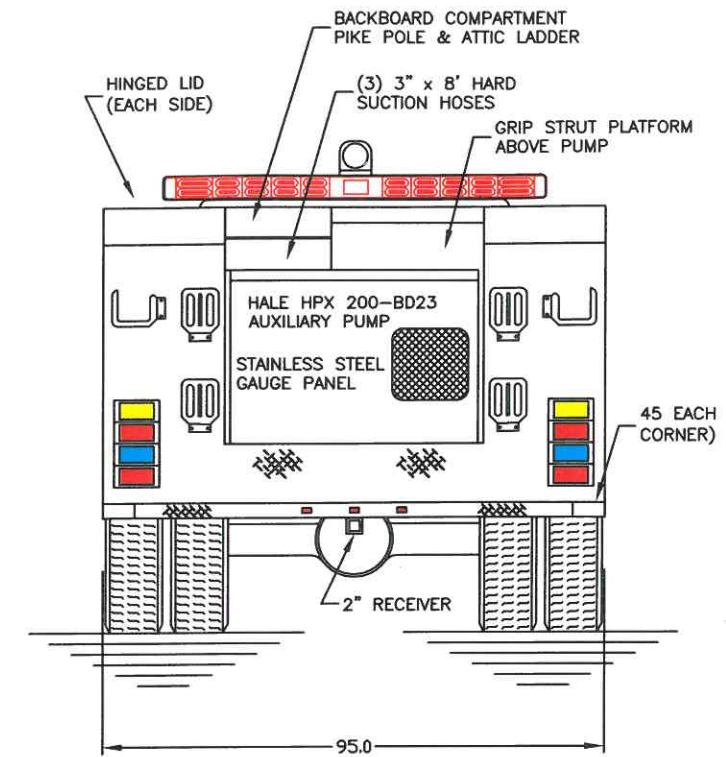


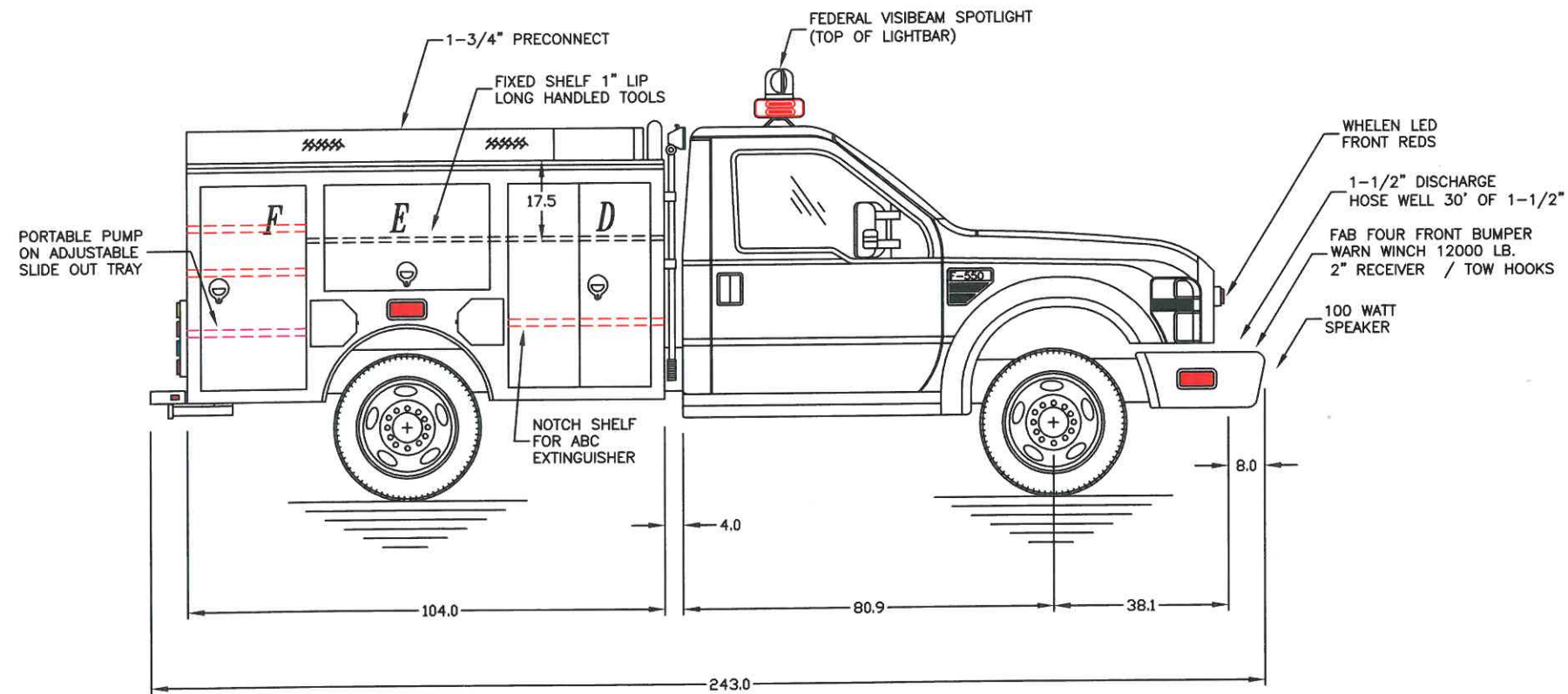
LEFT SIDE VIEW



REAR VIEW

ADJUSTABLE SHELF

ADJUSTABLE SLIDE OUT



RIGHT SIDE VIEW

COMPARTMENT DIMENSIONS	
INSIDE	OPENING
A. 34" Wx52" Hx23" D	A. 31" Wx48" H
B. 44" Wx30" Hx23" D	B. 38" Wx26" H
C. 26" Wx52" Hx23" D	C. 23" Wx48" H
D. 34" Wx52" Hx23" D	D. 31" Wx48" H
E. 70" Wx30" Hx23" D	E. 63" Wx26" H
F. 26" Wx22" Hx23" D	F. 23" Wx18" H

HI-TECH EMERGENCY VEHICLE SERVICE
444 W. GREGER ST. OAKDALE, CA. 95361 (209)847-3042

NICASIO V.F.D.

SCALE: DATE: 3-12-13 APPROVED BY: DRAWN BY: B. RUTIMAN REVISIONS: 3-31-14

FORD F-550 SUPER CAB 161.9" W.B.

300 WATER - 20 FOAM POLY TANK

CAD PRODUCED DRAWING DRAWING NUMBER 1-0