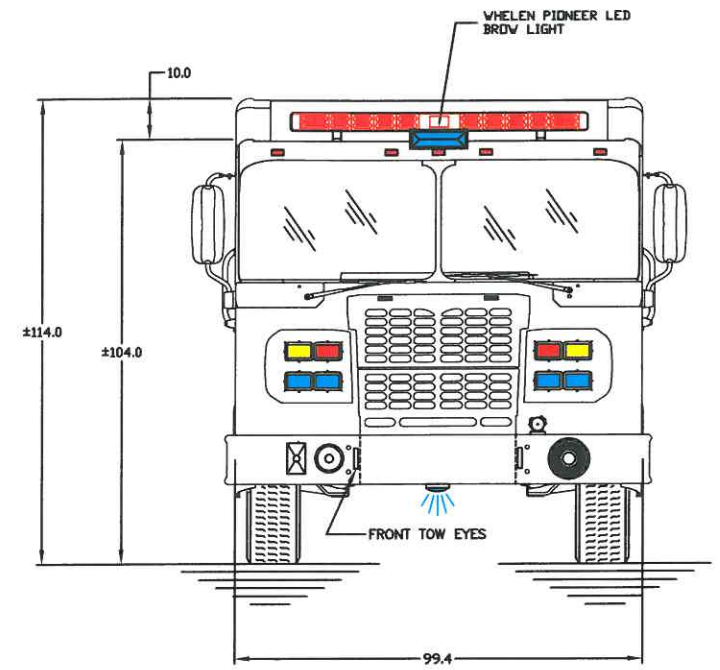
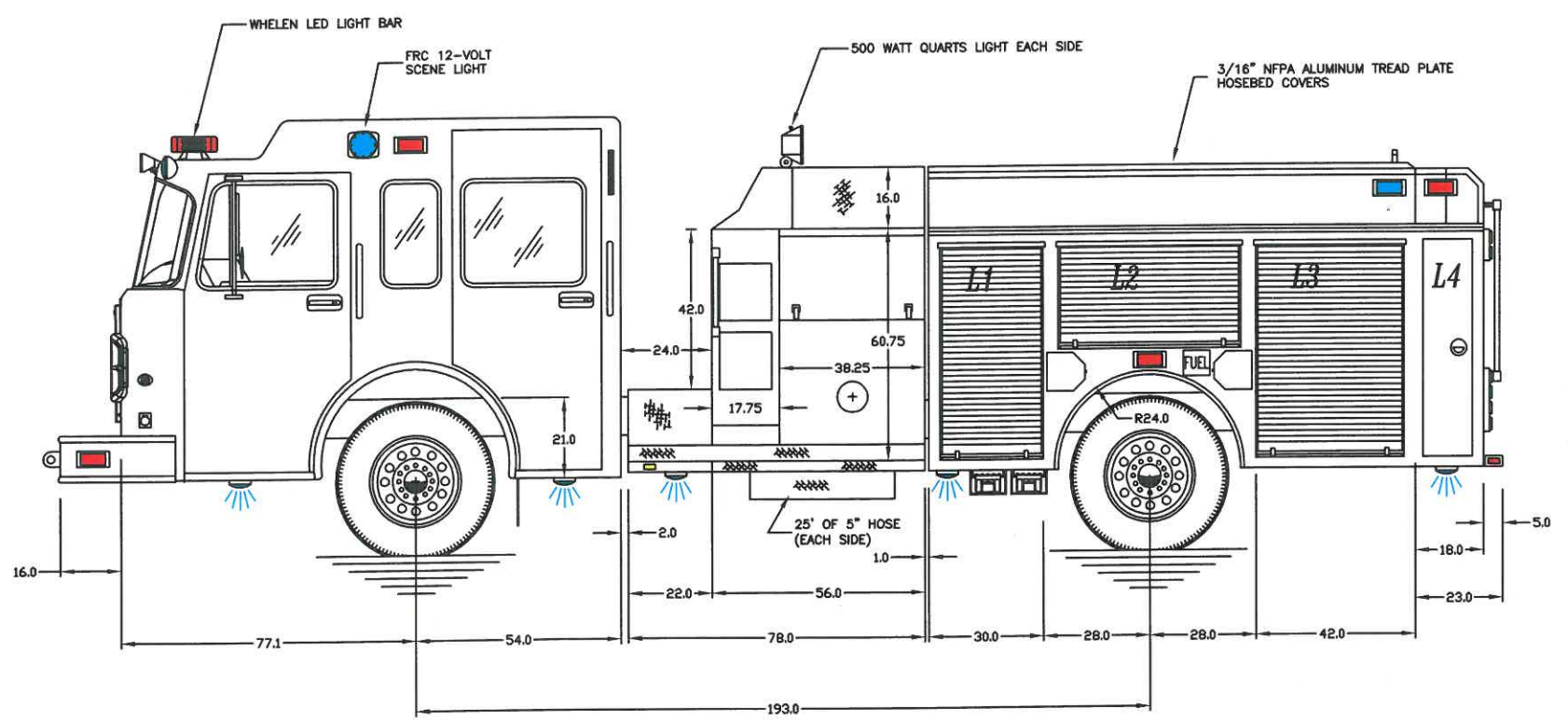


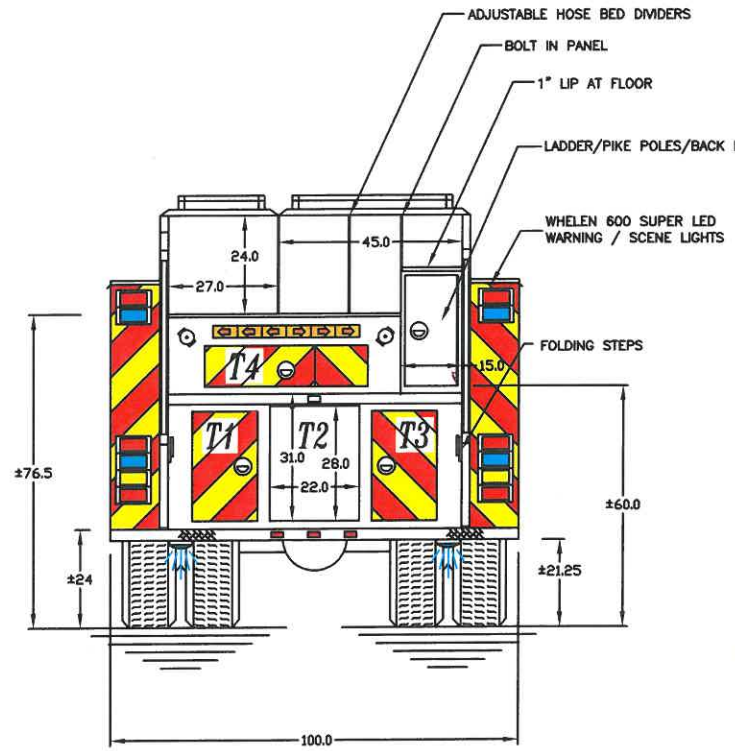
RIGHT SIDE VIEW



FRONT VIEW



LEFT SIDE VIEW



REAR VIEW

COMPARTMENT DIMENSIONS

INSIDE	JAMB OPENING
L1.30"Wx60.75"Hx14/26"D	L1.27"Wx56"H
L2.56"Wx32"Hx14"D	L2.48"Wx26"H
L3.42"Wx60.75"Hx14/26"D	L3.39"Wx56"H
L4.18"Wx60.75"Hx14"D	L4.13"Wx56"H
R1.30"Wx60.75"Hx14/26"D	R1.27"Wx56"H
R2.56"Wx32"Hx14"D	R2.48"Wx26"H
R3.42"Wx60.75"Hx14/26"D	R3.39"Wx56"H
R4.18"Wx60.75"Hx14"D	R4.13"Wx56"H
T1.13"Wx32"Hx26"D	T1.16"Wx26.75"H
T2.22"Wx32"Hx26"D	T2.22"Wx28"H
T3.13"Wx32"Hx26"D	T3.16"Wx26.75"H
T4.57"Wx18.75"Hx26"D	T4.40"Wx10"H

NOTES : (1) ALL ROLL-UP DOOR OPENING MEASUREMENTS MUST HAVE ±3" IN WIDTH AND ±5" OFF HEIGHT TAKEN OFF DUE TO SIDE TRACKS AND LIFT BAR ASSEMBLY .
 (2) COMPARTMENT L3/T1 & R3/T3 ARE JOINT ACCESS FROM SIDE AND REAR OF APPARATUS . WIDTH / DEPTH MEASUREMENTS OVERLAP AND DO NOT REFLECT TRUE USABLE SPACE .

HI-TECH EMERGENCY VEHICLE SERVICE
 444 W. GREGER ST. OAKDALE, CA. 95361 (209)847-3042

SANTA CLARA CITY F.D.

SCALE: DATE: 4-25-13 APPROVED BY: DRAWN BY: B RUTHMAN REVISED: 3-13-14

500 GAL. POLY WATER TANK / 30 GAL. FOAM

CAD PRODUCED DRAWING DRAWING NUMBER 1-0