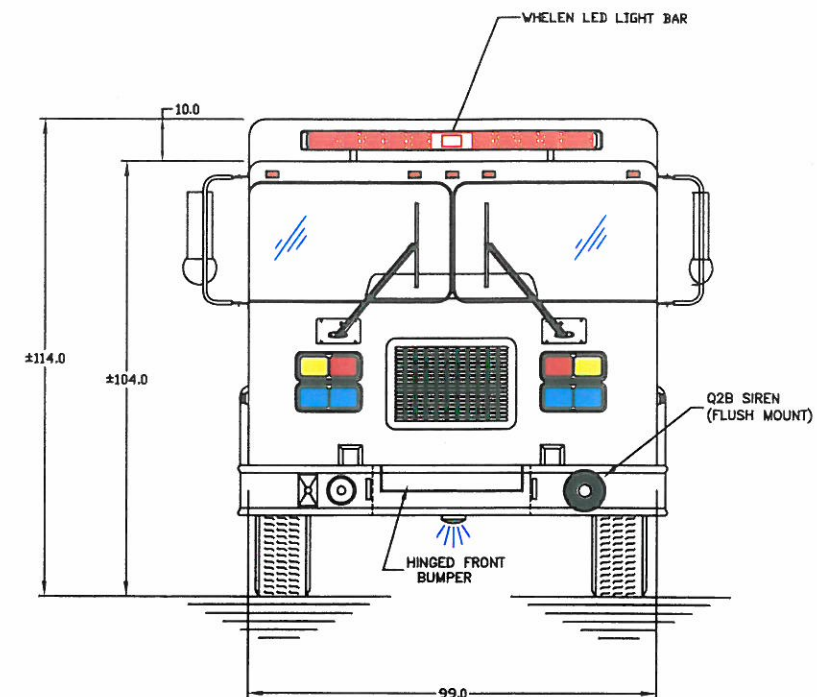
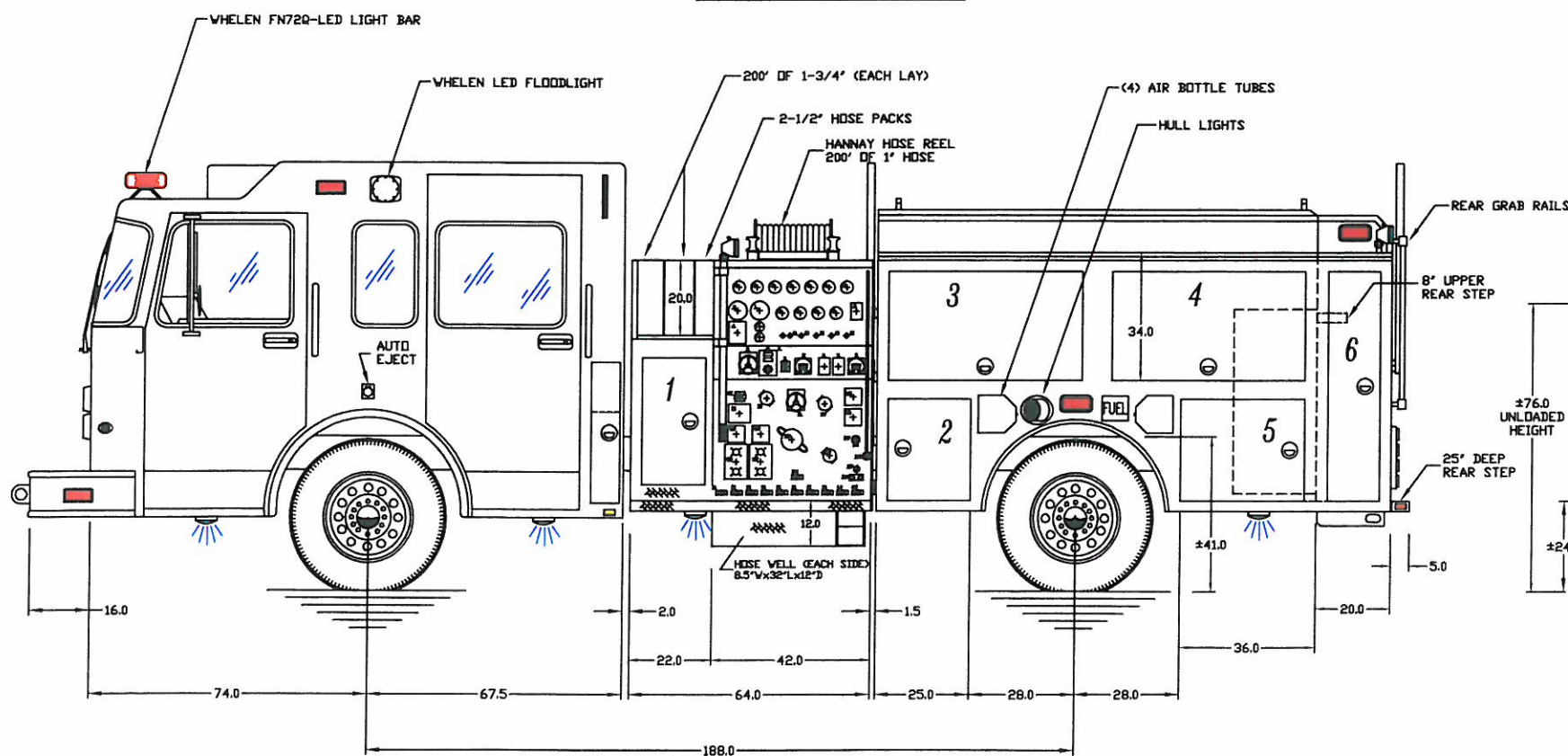


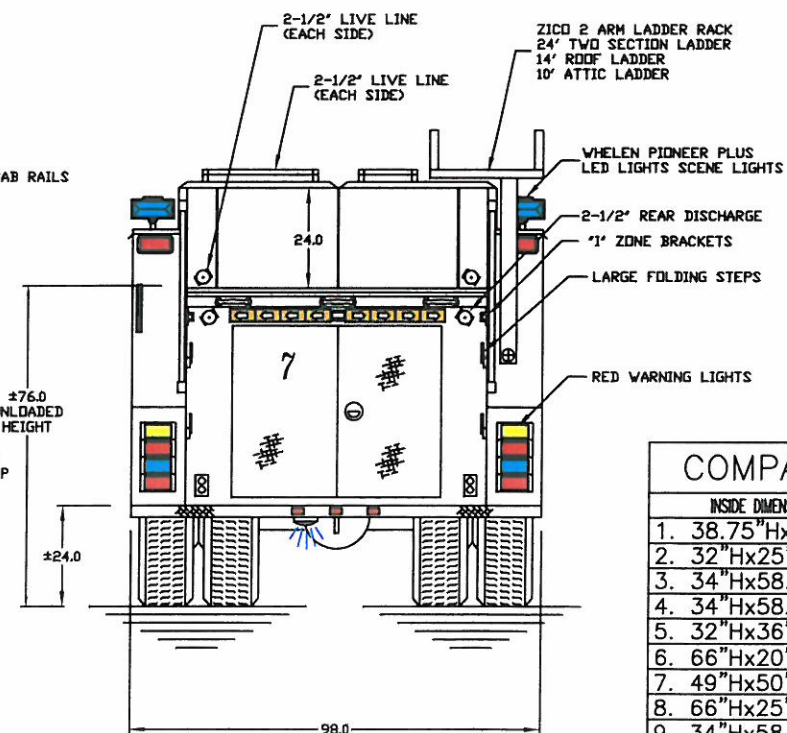
RIGHT SIDE VIEW



FRONT VIEW



LEFT SIDE VIEW



REAR VIEW

COMPARTMENT DIMENSIONS		
INSIDE DIMENSIONS	UPPER HALF DIMENSIONS	APPROXIMATE DOOR OPENING
1. 38.75"Hx22"Wx98"D		1. 33.75"Hx17"W
2. 32"Hx25"Wx25"D		2. 27"Hx22"W
3. 34"Hx58.5"Wx13"D		3. 29"Hx52"W
4. 34"Hx58.5"Wx13"D		4. 29"Hx52"W
5. 32"Hx36"Wx25"D		5. 27"Hx33"W
6. 66"Hx20"Wx13"D		6. 61"Hx15"W
7. 49"Hx50"Wx22"D		7. 41"Hx50"W
8. 66"Hx25"Wx13/25"D	8. 34"Hx25"Wx13"D	8. 61"Hx22"W
9. 34"Hx58.5"Wx13"D		9. 29"Hx52"W
10. 66"Hx35"Wx13/25"D	8. 34"Hx36"Wx13"D	8. 61"Hx33"W

HI-TECH EMERGENCY VEHICLE SERVICE  
444 W. GREGER ST. OAKDALE, CA. 95361 (209)847-3042

SANTA MARIA F.D.

SCALE: DATE: 6-28-12 APPROVED BY: DRAWN BY: B RUTHMAN REVISED: 7-10-12

(600 GAL. POLY WATER TANK) 12 GAL."A" & 12 GAL."B" FOAM

CAD PRODUCED DRAWING

DRAWING NUMBER 1-A