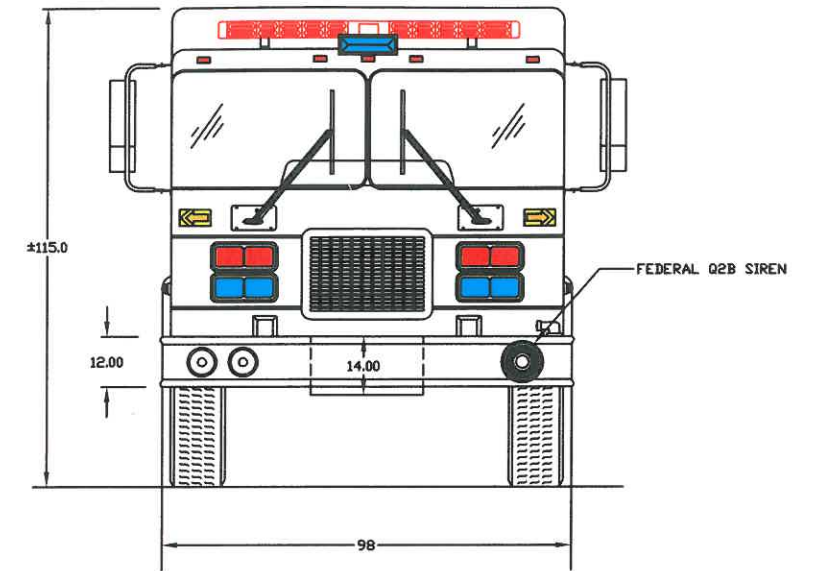
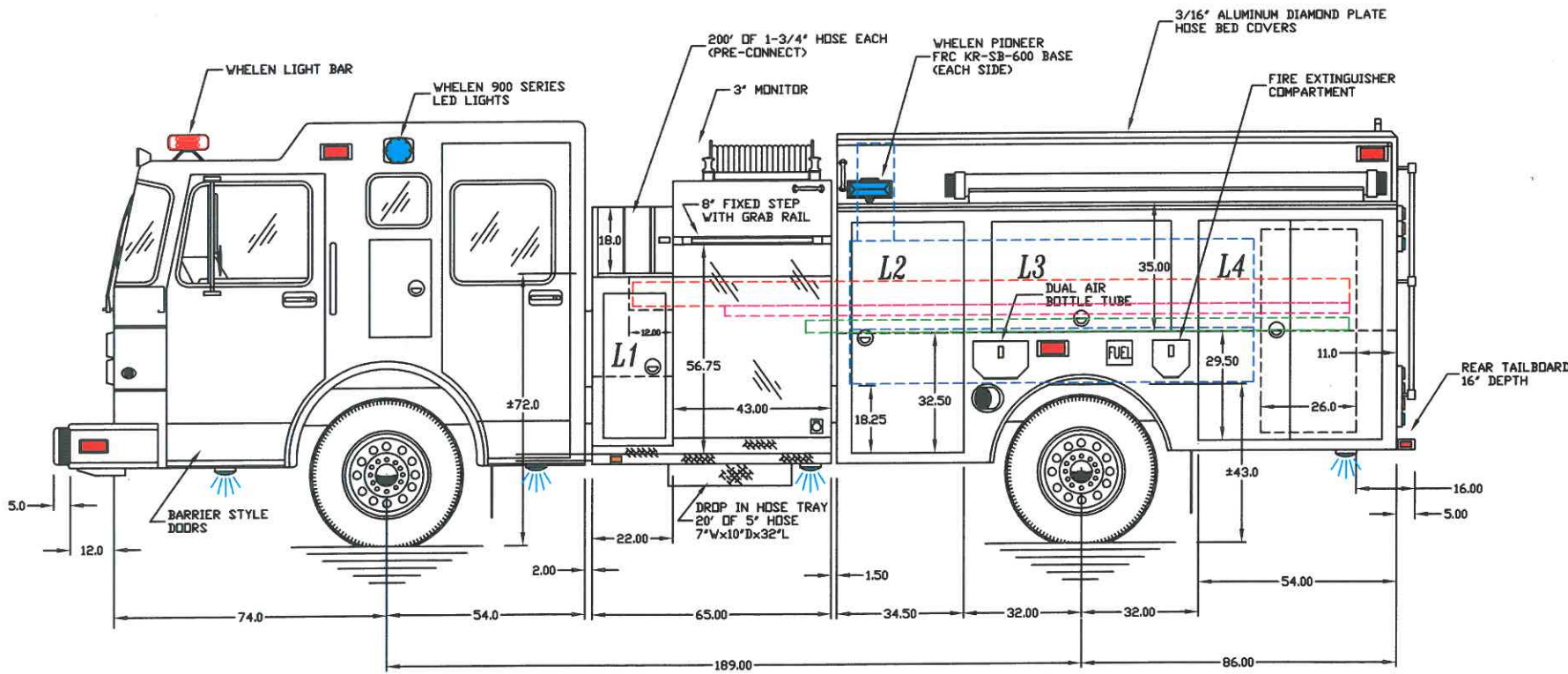


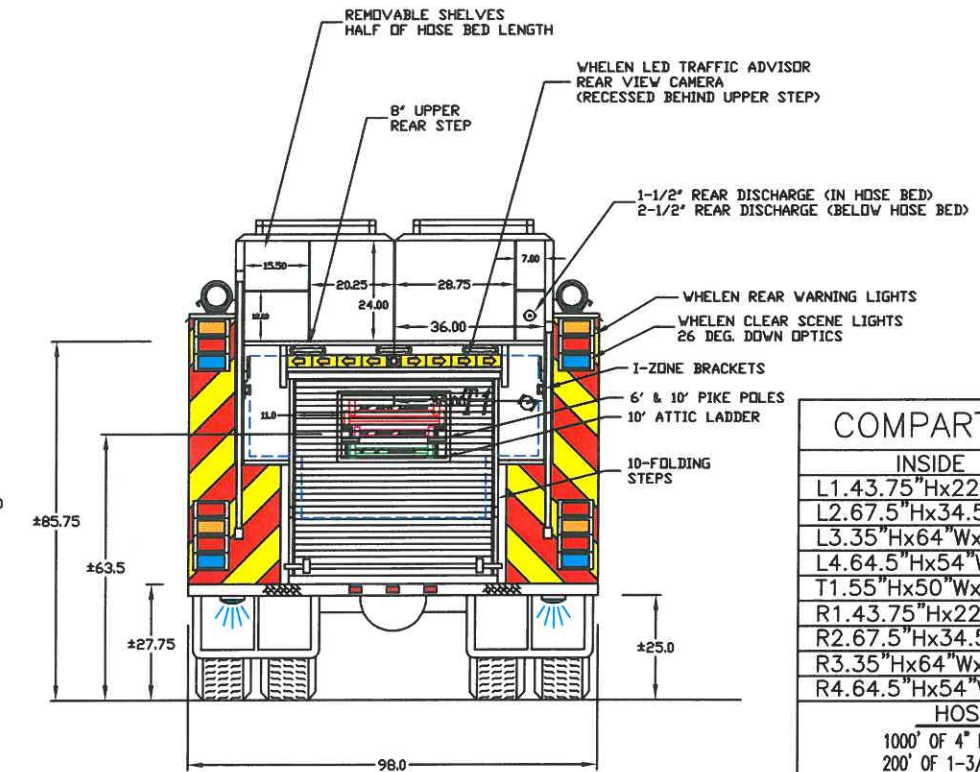
RIGHT SIDE VIEW



FRONT VIEW



LEFT SIDE VIEW



REAR VIEW

COMPARTMENT DIMENSIONS

INSIDE	OPENING
L1.43.75"Hx22"Wx96"D	L1.39.25"Hx17"W
L2.67.5"Hx34.5"Wx13/24"D	L2.62H"x30.5"W
L3.35"Hx64"Wx13"D	L3.29.5"Hx49"W
L4.64.5"Hx54"Wx13/24"D	L4.59"Hx51"W
T1.55"Hx50"Wx26"D	T1.44"Hx47"W
R1.43.75"Hx22"Wx96"D	R1.39.25"Hx17"W
R2.67.5"Hx34.5"Wx13/24"D	R2.62"Hx30.5"W
R3.35"Hx64"Wx13"D	R3.29.5"Hx49"W
R4.64.5"Hx54"Wx13/24"D	R4.59"Hx51"W

HOSE BED CAPACITY
 1000' OF 4" HOSE / 800' OF 2-1/2" HOSE
 200' OF 1-3/4" HOSE / 250' OF 1-3/4" HOSE

HI-TECH EMERGENCY VEHICLE SERVICE
 444 W. GREGER ST. OAKDALE, CA. 95361 (209)847-3042

TRACY F.D.

SCALE: DATE: 9-5-13 APPROVED BY: DRAWN BY: B RUTHMAN REVISED: 1-22-15

750 GAL. POLY WATER TANK 20 GAL. FOAM TANK

CAD PRODUCED DRAWING DRAWING NUMBER 1-D