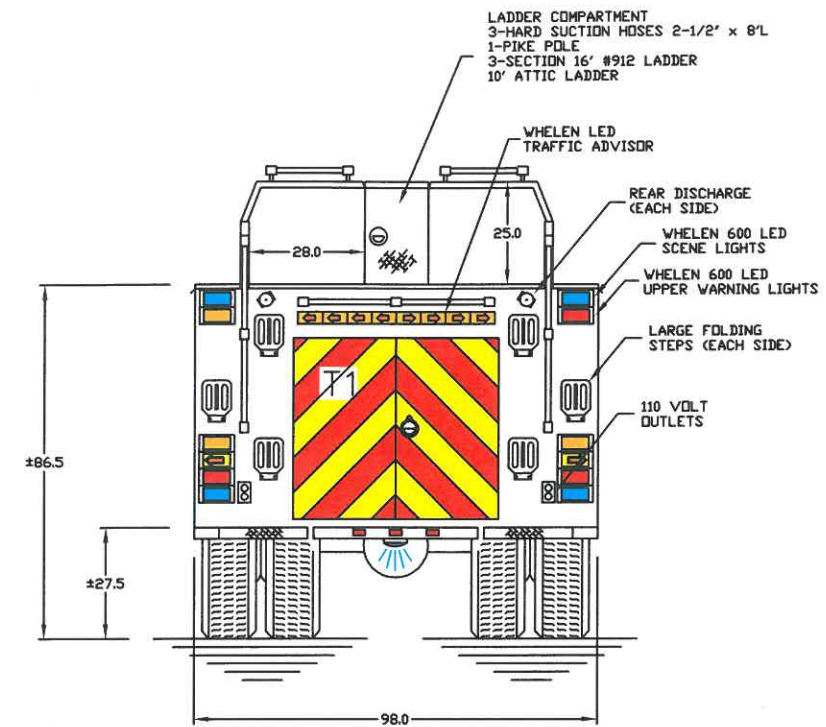
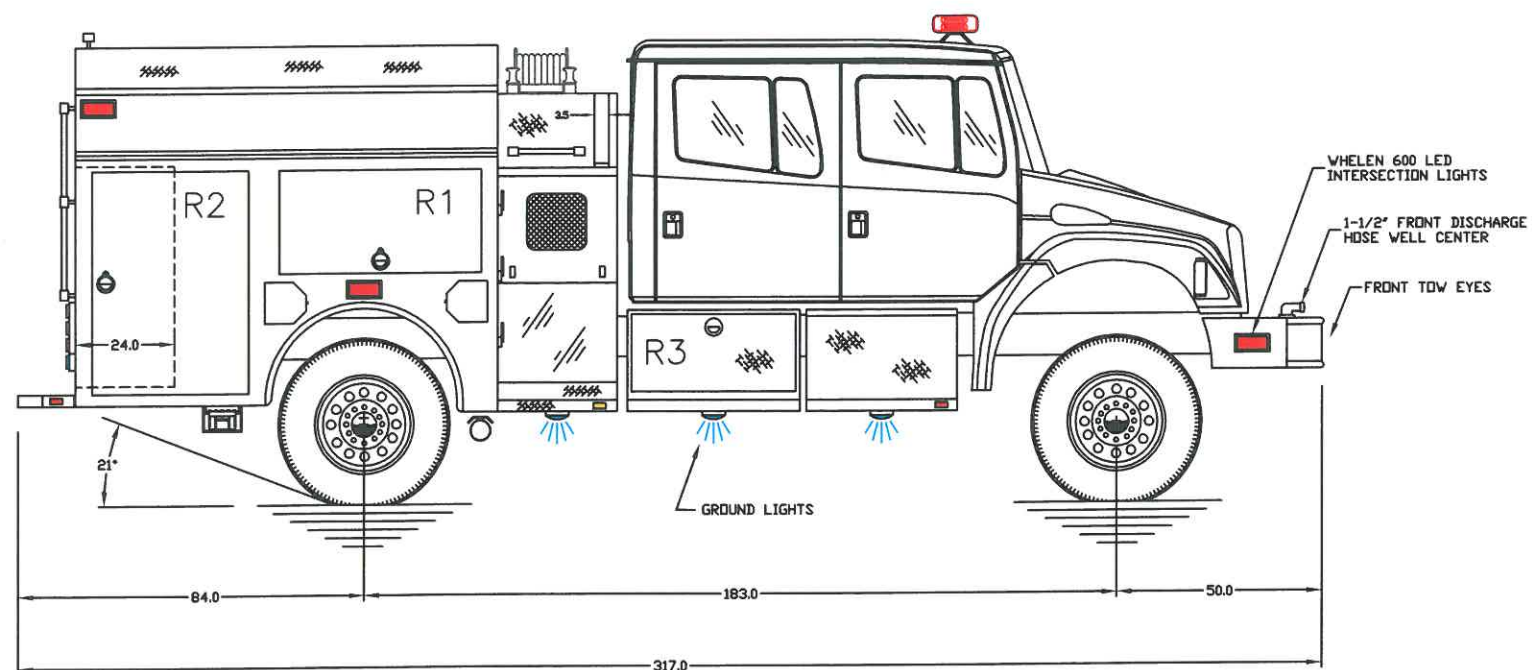


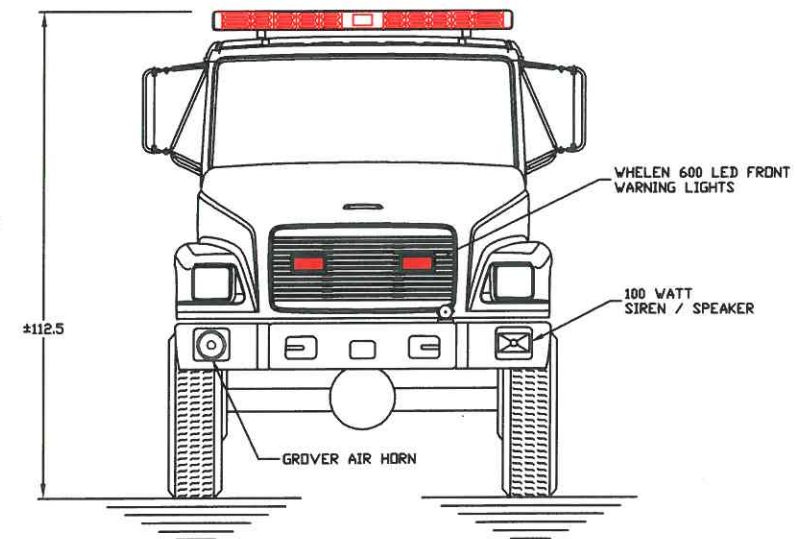
LEFT SIDE VIEW



REAR VIEW



RIGHT SIDE VIEW



FRONT VIEW

COMPARTMENT DIMENSIONS

INSIDE	OPENING
L1.60.5"Wx30"Hx13"D	L1.49"Wx25"H
L2.42"Wx59"Hx13/24"D	L2.38"Wx54"H
L3.42"Wx18.5"Hx23"D	L3.39"Wx14"H
T1.50/72"Wx55.5"Hx24"D	T1.50"Wx44"H
R1.60.5"Wx30"Hx13"D	R1.49"Wx25"H
R2.42"Wx59"Hx13/24"D	R2.38"Wx54"H
R3.42"Wx18.5"Hx23"D	R3.39"Wx12"H

HI-TECH EMERGENCY VEHICLE SERVICE
444 W. GREGER ST. OAKDALE, CA. 95361 (209)847-3042

WEST STANISLAUS FIRE

SCALE: DATE: 3-24-14 APPROVED BY: DRAWN BY: B RUTHMAN REVISED :

500 GAL. POLY WATER TANK
20 GAL. POLY FOAM TANK

CAD PRODUCED DRAWING

DRAWING NUMBER
1-A