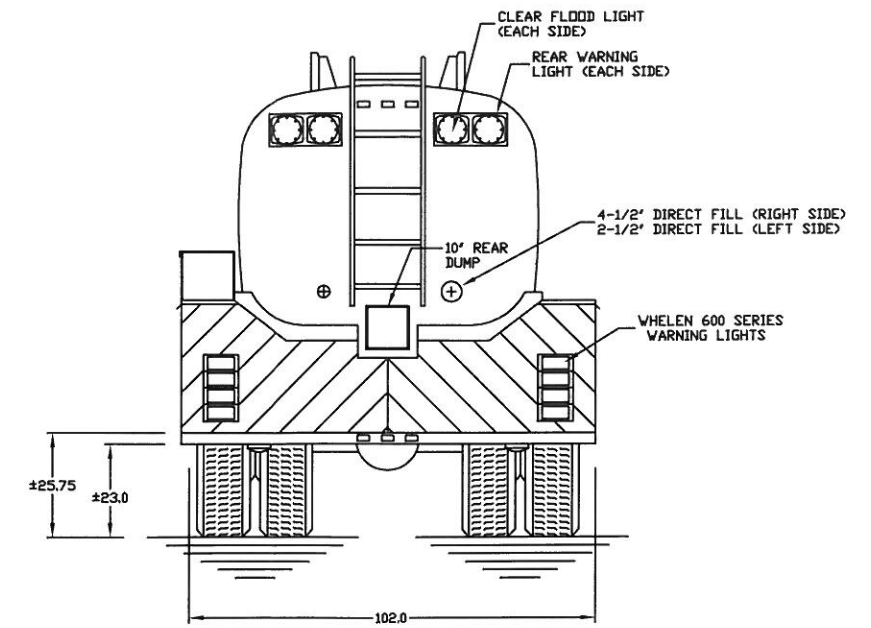
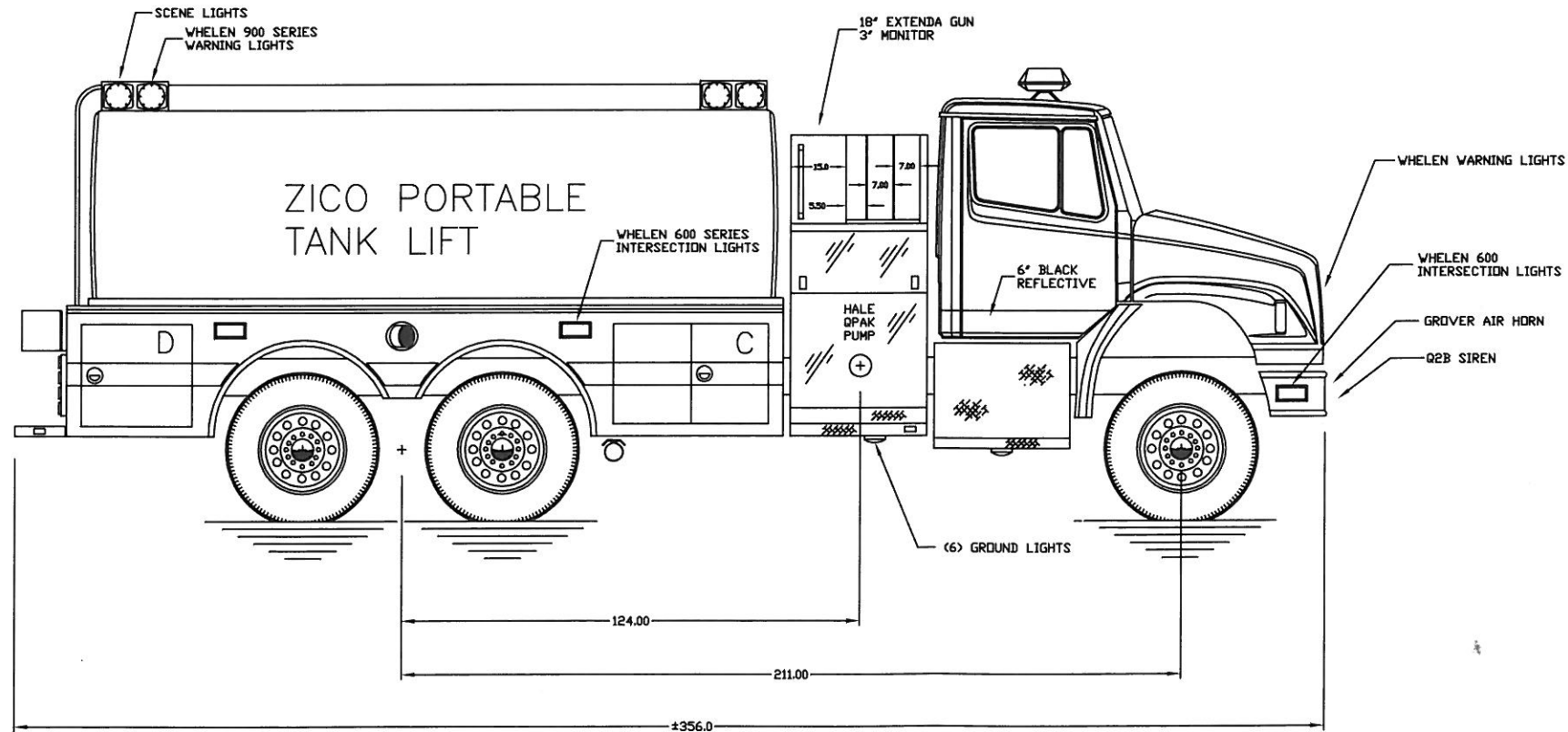


LEFT SIDE VIEW



REAR VIEW



RIGHT SIDE VIEW

COMPARTMENT DIMENSIONS

INSIDE	OPENING
A. 46" Wx 32" Hx 24" D	A. 42" Wx 27" H
B. 34" Wx 32" Hx 24" D	B. 30" Wx 27" H
C. 46" Wx 32" Hx 24" D	C. 42" Wx 27" H
D. 34" Wx 32" Hx 24" D	D. 30" Wx 27" H

HI-TECH EMERGENCY VEHICLE SERVICE  
444 W. GREGER ST. OAKDALE, CA. 95361 (209)847-3042

HUGHSON F.D.

SCALE: DATE: 12-10-09 APPROVED BY: DRAWN BY: B RUTHMAN REVISED:

3000 GAL. STAINLESS STEEL WATER TANK

DRAWING NUMBER  
1-A