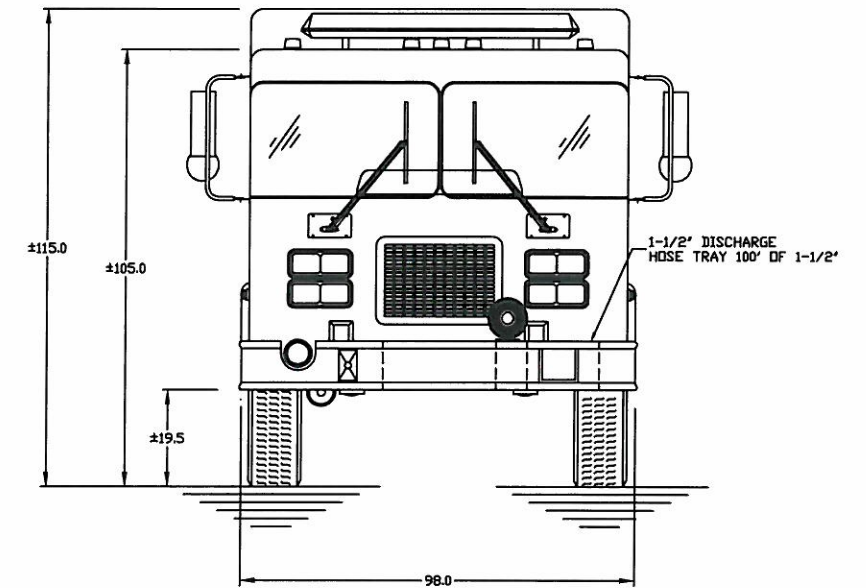
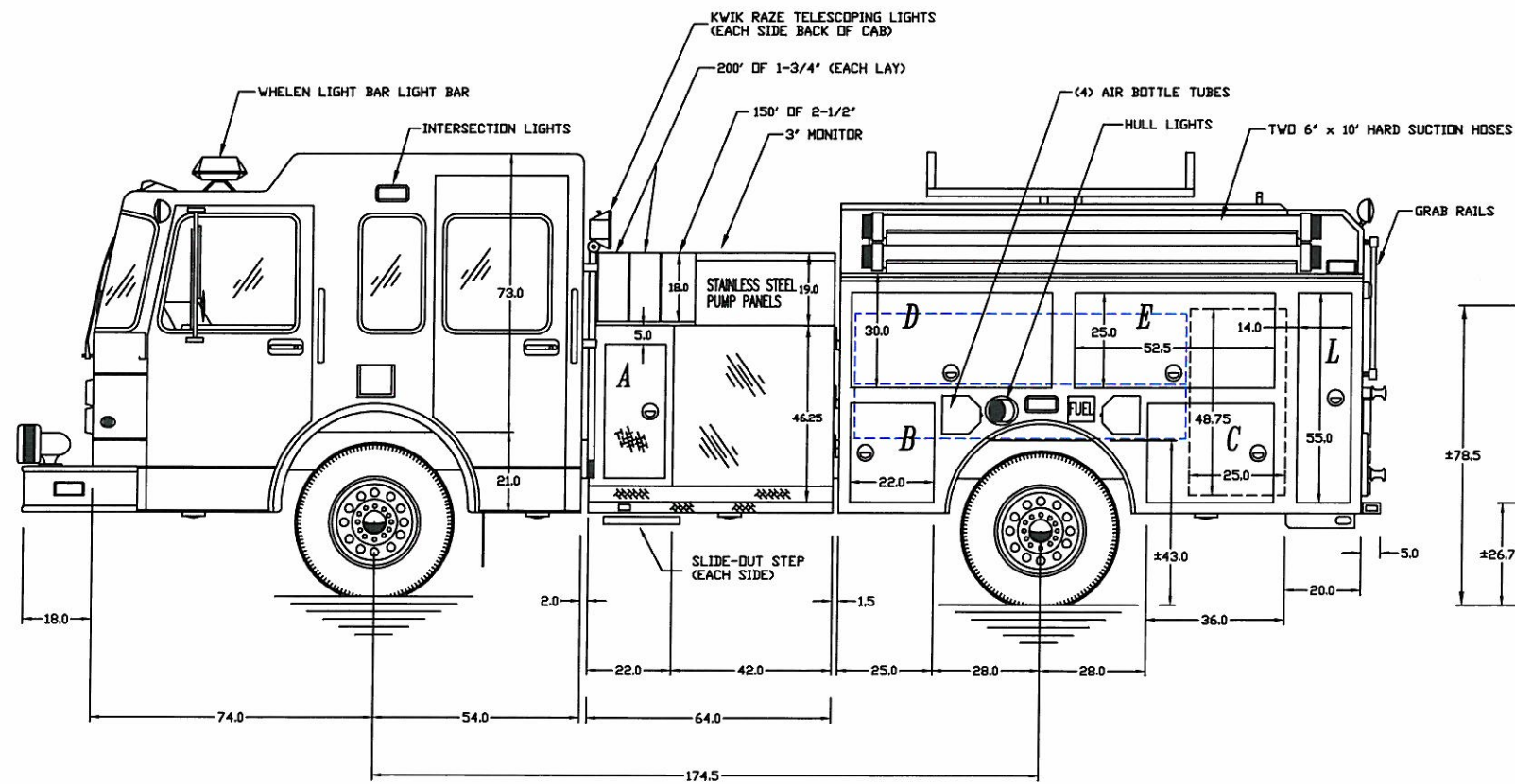


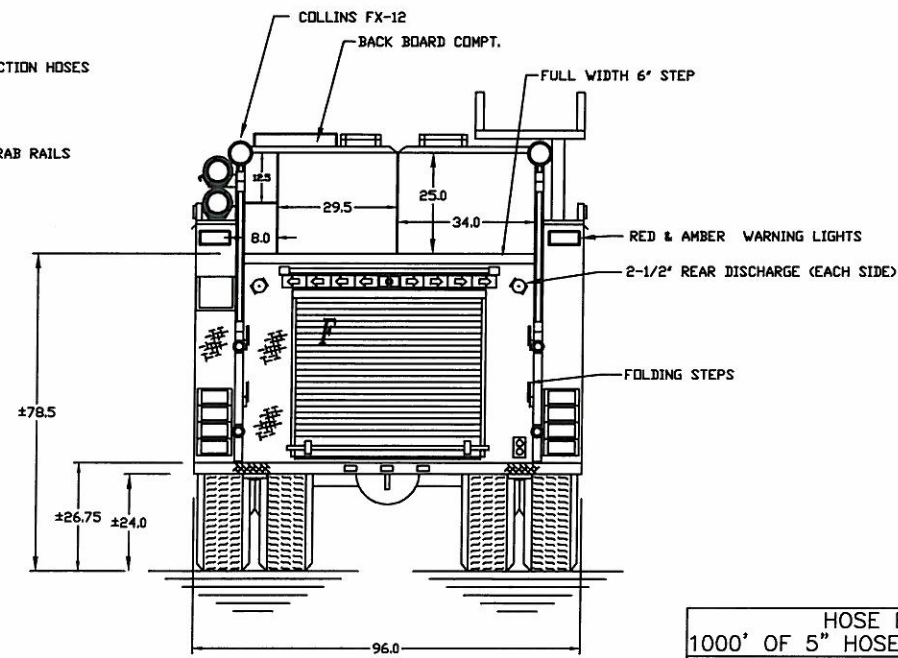
RIGHT SIDE VIEW



FRONT VIEW



LEFT SIDE VIEW



REAR VIEW

COMPARTMENT DIMENSIONS

INSIDE DIMENSIONS	APPROXIMATE DOOR OPENING
A. 40" Hx 22" Wx 15" D	A. 35" Hx 16" W
B. 30" Hx 25" Wx 24" D	B. 26" Hx 22" W
C. 30" Hx 36" Wx 24" D	C. 26" Hx 33" W
D. 30" Hx 58.5" Wx 12" D	D. 25" Hx 52.5" W
E. 30" Hx 58.5" Wx 12" D	E. 25" Hx 52.5" W
F. 48.75" Hx 48" Wx 25" D	F. 40" Hx 48" W
G. 40" Hx 22" Wx 57" D	G. 35" Hx 16" W
H. 30" Hx 25" Wx 24" D	H. 26" Hx 22" W
I. 30" Hx 36" Wx 24" D	I. 26" Hx 33" W
J. 30" Hx 51.5" Wx 12" D	J. 25" Hx 45.5" W
K. 30" Hx 51.5" Wx 12" D	K. 25" Hx 45.5" W
L. 60" Hx 20" Wx 12" D	L. 55" Hx 14" W
M. 60" Hx 20" Wx 12" D	M. 55" Hx 14" W

HOSE BED DIMENSIONS 72" Wx 25" Hx 117" L
 1000' OF 5" HOSE 1000' OF 3" HOSE 300' OF 1-3/4" HOSE
 HI-TECH EMERGENCY VEHICLE SERVICE
 444 W. GREGER ST. OAKDALE, CA. 95361 (209)847-3042

RICHMOND F.D. 2010

SCALE:	APPROVED BY:	DRAWN BY: B RUTHMAN
DATE: 7-14-10		REVISED:
600 GAL. POLY WATER TANK 22GAL. FOAM TANK		
CAD PRODUCED DRAWING		DRAWING NUMBER 1-A