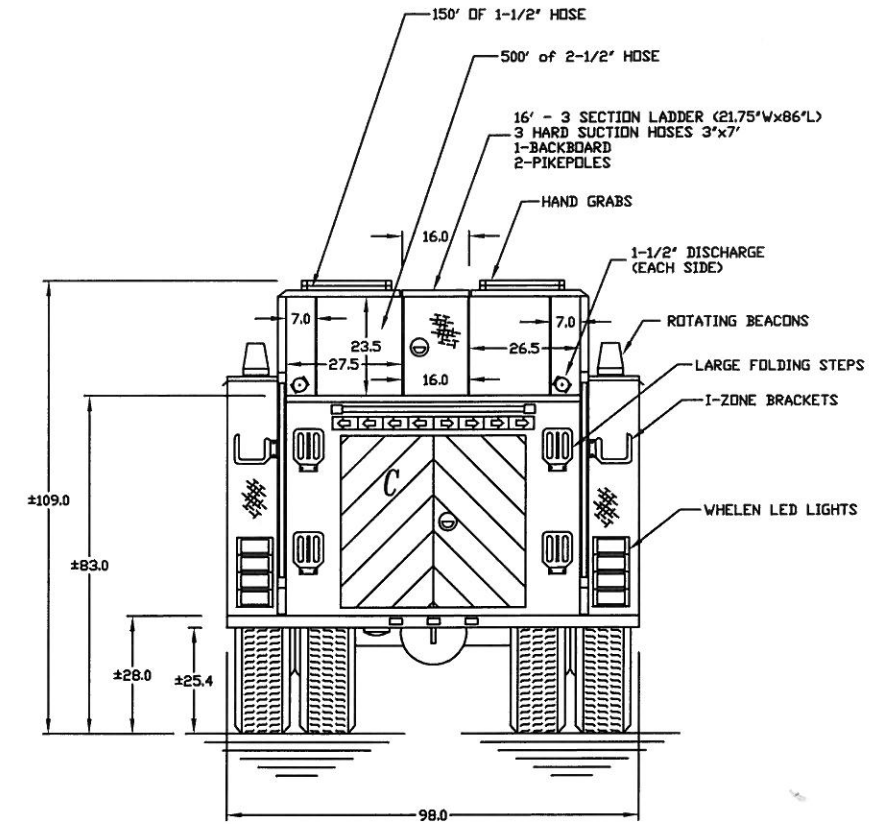
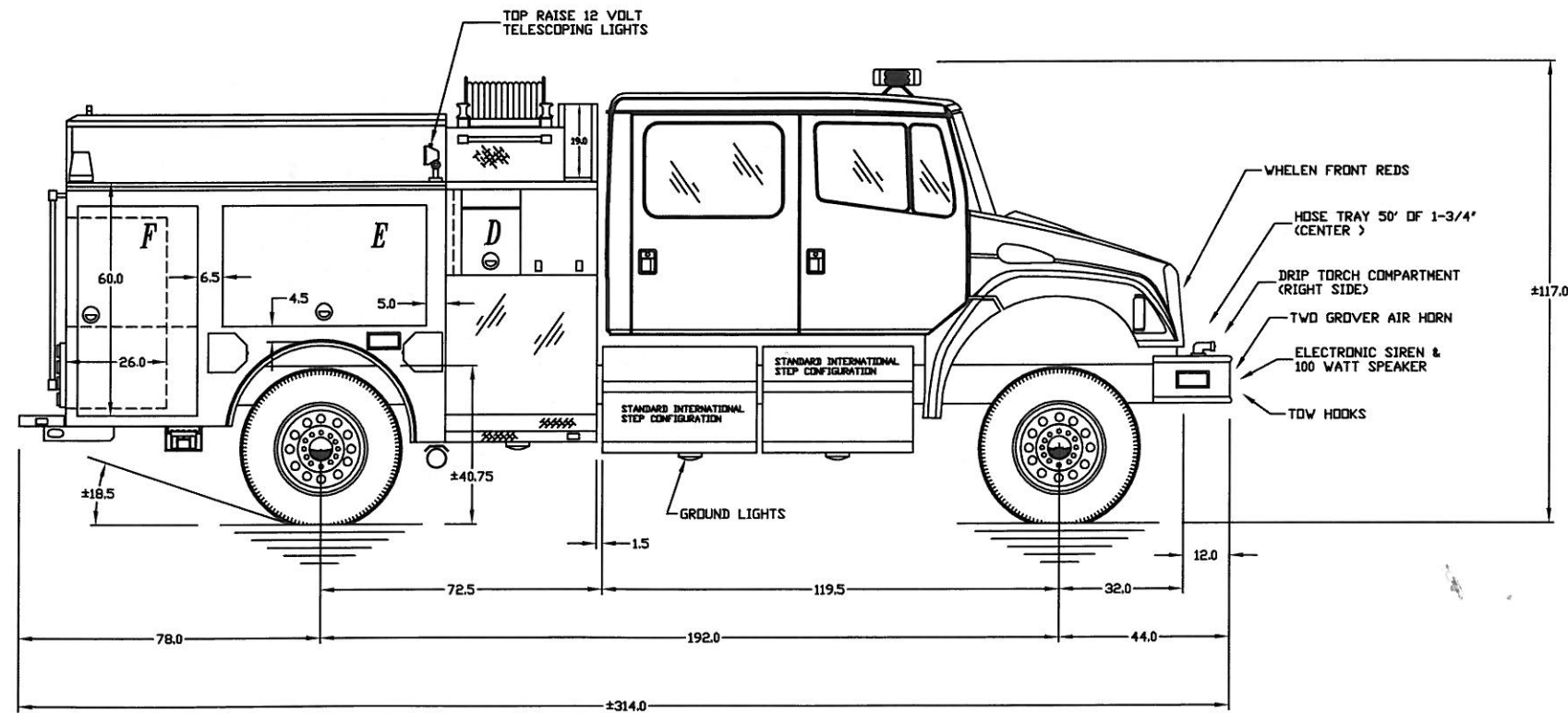


LEFT SIDE VIEW



REAR VIEW



RIGHT SIDE VIEW

COMPARTMENT DIMENSIONS

INSIDE	OPENING
A. 64"Wx37"Hx14"D	A. 53"Wx32"H
B. 34"Wx60"Hx14/24"D	B. 31"Wx54"H
C. 50/70"Wx49"Hx26"D	C. 44"Wx40"H
D. 18"Wx20"Hx65"D	D. 18"Wx20"H
E. 64"Wx37"Hx14"D	E. 53"Wx32"H
F. 34"Wx60"Hx14/24"D	F. 31"Wx54"H

HI-TECH EMERGENCY VEHICLE SERVICE
444 W. GREGER ST. OAKDALE, CA. 95361 (209)847-3042

WEST STANISLAUS

SCALE:	APPROVED BY:	DRAWN BY: B RUTHMAN
DATE: 10-2-10		REVISED: 7-11-11

500 GAL. WATER / 20 GAL. FOAM (POLY WATER TANK)

CAD PRODUCED DRAWING DRAWING NUMBER 1-C