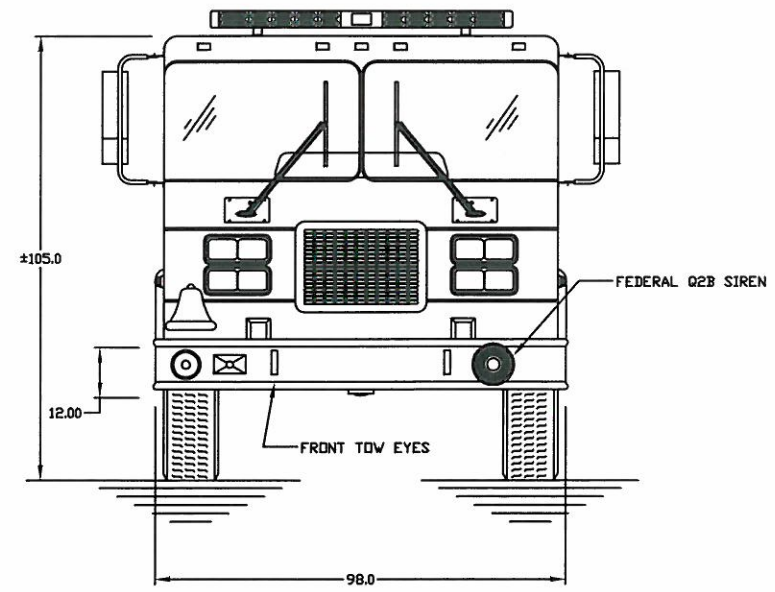
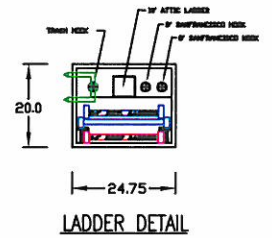


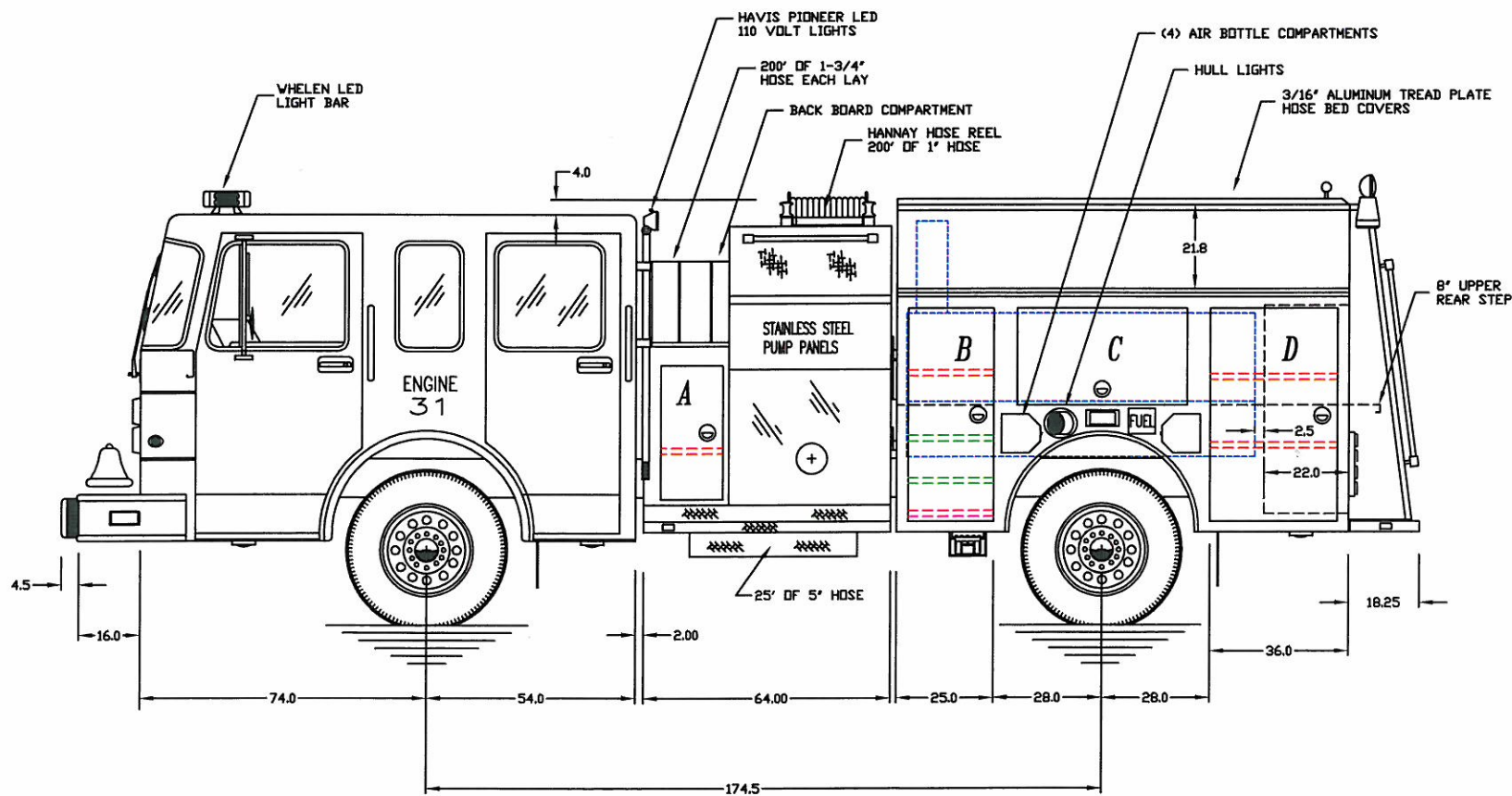
RIGHT SIDE VIEW



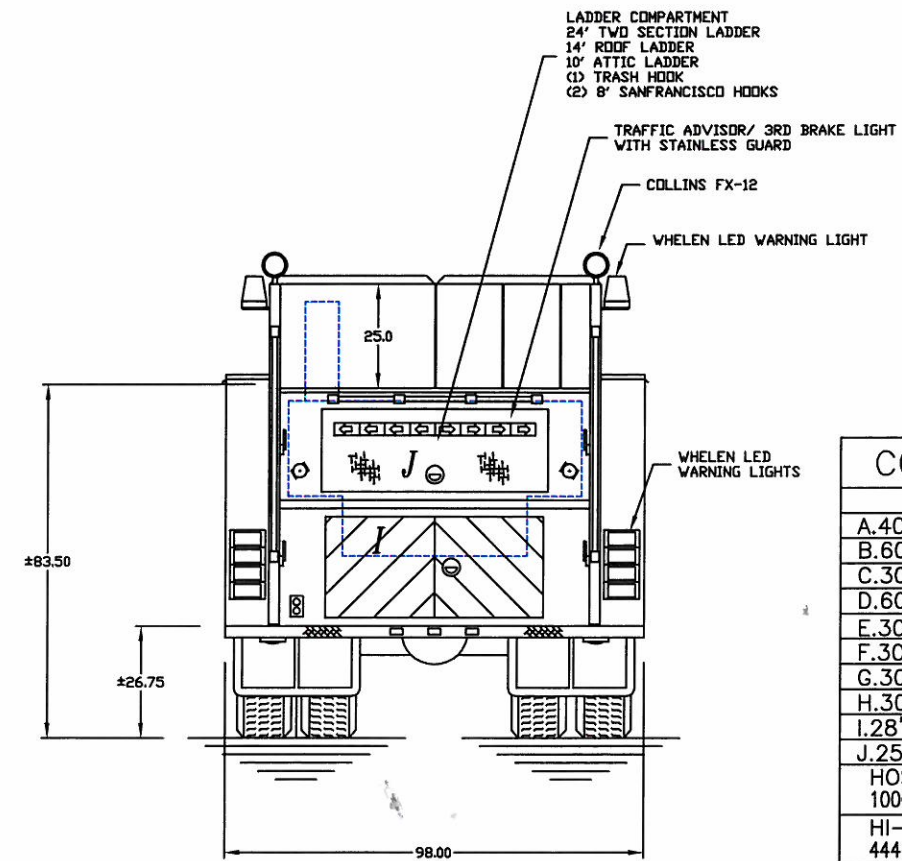
FRONT VIEW



LADDER DETAIL



LEFT SIDE VIEW



REAR VIEW

- ADJUSTABLE SHELF LOCATION
- 
- SLIDE OUT TRAY LOCATION
- 
- ADJUSTABLE SLIDE OUT TRAY
- 

| COMPARTMENT DIMENSIONS    |                    |
|---------------------------|--------------------|
| INSIDE                    | CLEAR OPENING      |
| A. 40" Hx 22" Wx 72" D    | A. 36" Hx 16" W    |
| B. 60" Hx 25" Wx 13/24" D | B. 55" Hx 22" W    |
| C. 30" Hx 56" Wx 13" D    | C. 25" Hx 46" W    |
| D. 60" Hx 36" Wx 13/24" D | D. 55" Hx 33" W    |
| E. 30" Hx 25" Wx 24" D    | E. 25" Hx 22" W    |
| F. 30" Hx 36" Wx 24" D    | F. 25" Hx 33" W    |
| G. 30" Hx 58.5" Wx 13" D  | G. 25" Hx 52.5" W  |
| H. 30" Hx 58.5" Wx 13" D  | H. 25" Hx 52.5" W  |
| I. 28" Hx 50" Wx 22" D    | I. 23" Hx 50" W    |
| J. 25.75" Hx 72" Wx 22" D | J. 19.75" Hx 54" W |

HOSE BED CAPACITY  
 1000' OF 5" HOSE, 1200' OF 2-1/2" HOSE

HI-TECH EMERGENCY VEHICLE SERVICE  
 444 W. GREGER ST. OAKDALE, CA. 95361 (209)847-3042

**DAVIS F.D.**

|               |              |                      |
|---------------|--------------|----------------------|
| SCALE:        | APPROVED BY: | DRAWN BY: B. RUTHMAN |
| DATE: 11-4-11 |              | REVISED:             |

500 GAL. POLY WATER TANK / 30 GAL. FOAM

**CAD PRODUCED DRAWING** DRAWING NUMBER 1-A