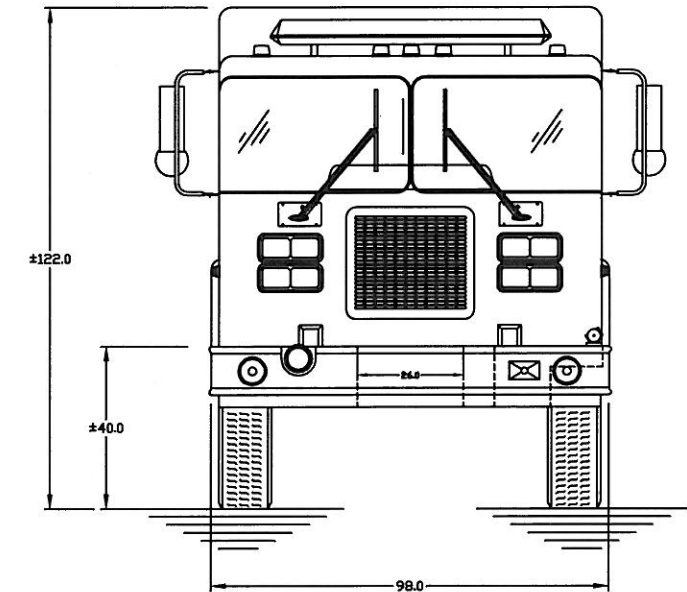
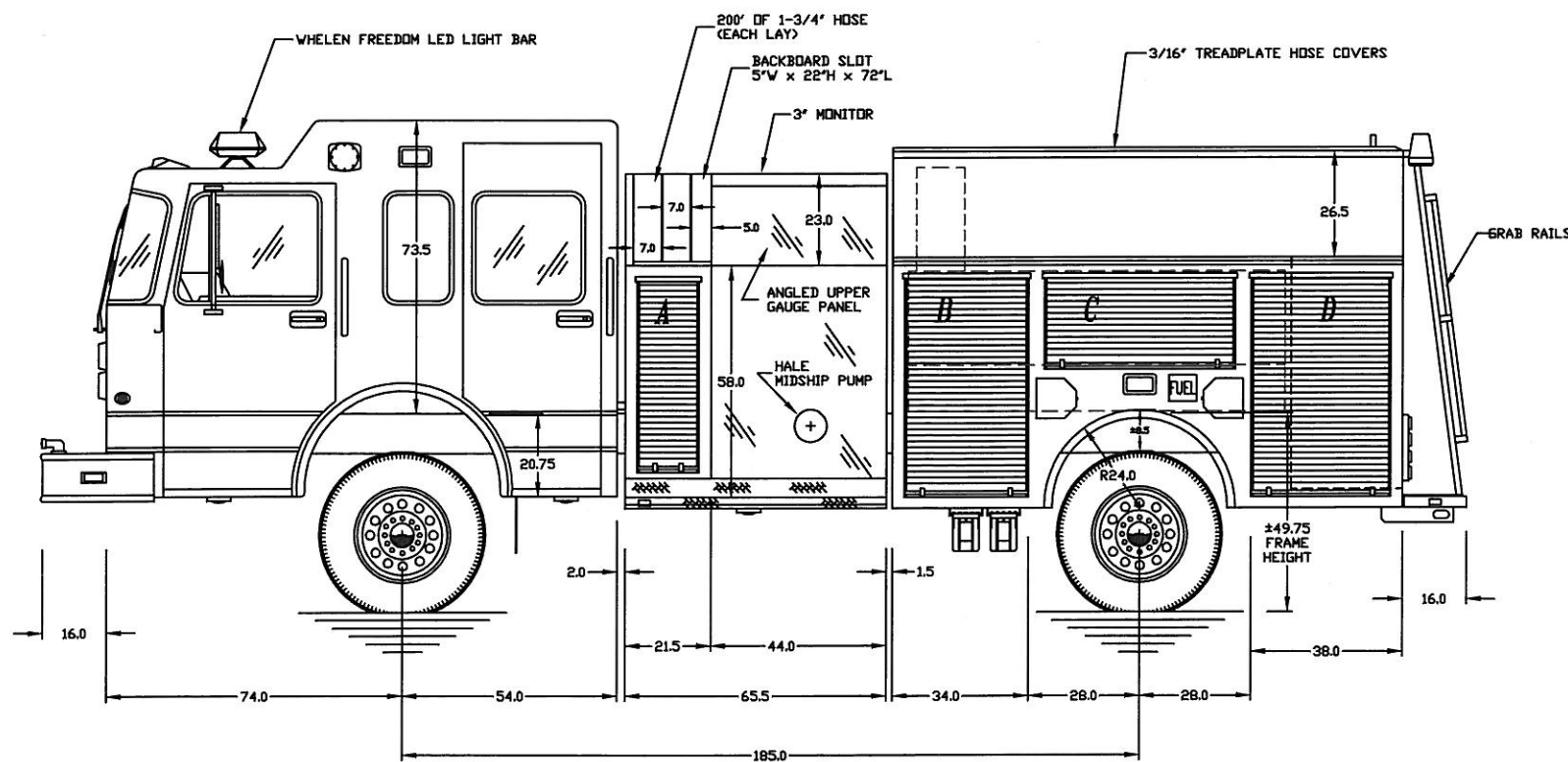


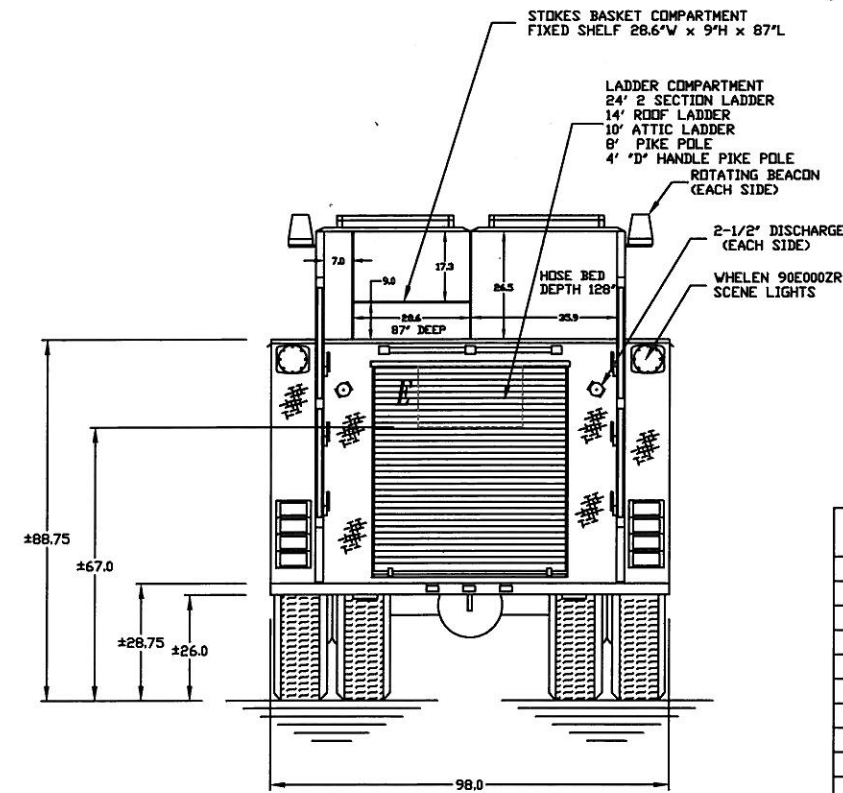
RIGHT SIDE VIEW



FRONT VIEW



LEFT SIDE VIEW



REAR VIEW

COMPARTMENT DIMENSIONS	
INSIDE	CLEAR OPENING
A. 21.5"Wx51.75"Hx72"D	A. 15"Wx41.75"H
B. 34"Wx60"Hx13/25"D	B. 28.5"Wx50.5"H
C. 56"Wx28"Hx13"D	C. 45.5"Wx18.5"H
D. 38"Wx60"Hx13/25"D	D. 32.5"Wx50.5"H
E. 48"Wx58"Hx28"D	E. 45.5"Wx48.0"H
F. 34"Wx60"Hx13/25"D	F. 28.5"Wx50.5"H
G. 56"Wx28"Hx13"D	G. 45.5"Wx18.5"H
H. 38"Wx60"Hx13/25"D	H. 32.5"Wx50.5"H

HI-TECH EMERGENCY VEHICLE SERVICE
444 W. GREGER ST. OAKDALE, CA. 95361 (209)847-3042

NORTHSTAR F.D.

SCALE:	APPROVED BY:	DRAWN BY: B. RUTHMAN
DATE: 12-15-08		REVISED: 11-2-09

600 GAL. POLY WATER TANK / 30 GAL. FOAM TANK

CAD PRODUCED DRAWING	DRAWING NUMBER 1-B
----------------------	-----------------------